



ULTRA-2



ILLUSTRATED PARTS CATALOG

Designs, materials, weights, specifications, and dimensions for equipment or replacement parts are subject to change without notice.

BUNN-O-MATIC CORPORATION

POST OFFICE BOX 3227

SPRINGFIELD, ILLINOIS 62708-3227

PHONE: (217) 529-6601 FAX: (217) 529-6644

www.bunn.com

To ensure you have the latest revision of the Operating Manual, Illustrated Parts Catalog, Programming Manual, or Service Manual, please visit the Bunn-O-Matic website, at www.bunn.com. This is absolutely FREE, and the quickest way to obtain the latest catalog and manual updates. For Technical Service, contact Bunn-O-Matic Corporation at 1-800-286-6070.

BUNN-O-MATIC COMMERCIAL PRODUCT WARRANTY

Bunn-O-Matic Corp. ("BUNN") warrants equipment manufactured by it as follows:

- 1) Airpots, thermal carafes, decanters, GPR servers, iced tea/coffee dispensers, MCR/MCP/MCA single cup brewers, thermal servers and ThermoFresh® servers (mechanical and digital) 1 year parts and 1 year labor.
- 2) All other equipment - 2 years parts and 1 year labor plus added warranties as specified below:
 - a) Electronic circuit and/or control boards - parts and labor for 3 years.
 - b) Compressors on refrigeration equipment - 5 years parts and 1 year labor.
 - c) Grinding burrs on coffee grinding equipment to grind coffee to meet original factory screen sieve analysis - parts and labor for 4 years or 40,000 pounds of coffee, whichever comes first.

These warranty periods run from the date of installation BUNN warrants that the equipment manufactured by it will be commercially free of defects in material and workmanship existing at the time of manufacture and appearing within the applicable warranty period. This warranty does not apply to any equipment, component or part that was not manufactured by BUNN or that, in BUNN's judgment, has been affected by misuse, neglect, alteration, improper installation or operation, improper maintenance or repair, non periodic cleaning and descaling, equipment failures related to poor water quality, damage or casualty. In addition, the warranty does not apply to replacement of items subject to normal use including but not limited to user replaceable parts such as seals and gaskets. This warranty is conditioned on the Buyer 1) giving BUNN prompt notice of any claim to be made under this warranty by telephone at (217) 529-6601 or by writing to Post Office Box 3227, Springfield, Illinois 62708-3227; 2) if requested by BUNN, shipping the defective equipment prepaid to an authorized BUNN service location; and 3) receiving prior authorization from BUNN that the defective equipment is under warranty.

THE FOREGOING WARRANTY IS EXCLUSIVE AND IS IN LIEU OF ANY OTHER WARRANTY, WRITTEN OR ORAL, EXPRESS OR IMPLIED, INCLUDING, BUT NOT LIMITED TO, ANY IMPLIED WARRANTY OF EITHER MERCHANTABILITY OR FITNESS FOR A PARTICULAR PURPOSE. The agents, dealers or employees of BUNN are not authorized to make modifications to this warranty or to make additional warranties that are binding on BUNN. Accordingly, statements by such individuals, whether oral or written, do not constitute warranties and should not be relied upon.

If BUNN determines in its sole discretion that the equipment does not conform to the warranty, BUNN, at its exclusive option while the equipment is under warranty, shall either 1) provide at no charge replacement parts and/or labor (during the applicable parts and labor warranty periods specified above) to repair the defective components, provided that this repair is done by a BUNN Authorized Service Representative; or 2) shall replace the equipment or refund the purchase price for the equipment.

THE BUYER'S REMEDY AGAINST BUNN FOR THE BREACH OF ANY OBLIGATION ARISING OUT OF THE SALE OF THIS EQUIPMENT, WHETHER DERIVED FROM WARRANTY OR OTHERWISE, SHALL BE LIMITED, AT BUNN'S SOLE OPTION AS SPECIFIED HEREIN, TO REPAIR, REPLACEMENT OR REFUND.

In no event shall BUNN be liable for any other damage or loss, including, but not limited to, lost profits, lost sales, loss of use of equipment, claims of Buyer's customers, cost of capital, cost of down time, cost of substitute equipment, facilities or services, or any other special, incidental or consequential damages.

392, A Partner You Can Count On, Air Infusion, AutoPOD, AXIOM, BrewLOGIC, BrewMETER, Brew Better Not Bitter, BrewWISE, BrewWIZARD, BUNN Espresso, BUNN Family Gourmet, BUNN Gourmet, BUNN Pour-O-Matic, BUNN, BUNN with the stylized red line, BUNNlink, Bunn-OMatic, Bunn-O-Matic, BUNNserve, BUNNSERVE with the stylized wrench design, Cool Froth, DBC, Dr. Brew stylized Dr. design, Dual, Easy Pour, EasyClear, EasyGard, FlavorGard, Gourmet Ice, Gourmet Juice, High Intensity, iMIX, Infusion Series, Intellisteam, My Café, Phase Brew, PowerLogic, Quality Beverage Equipment Worldwide, Respect Earth, Respect Earth with the stylized leaf and coffee cherry design, Safety-Fresh, savemycoffee.com, Scale-Pro, Silver Series, Single, Smart Funnel, Smart Hopper, SmartWAVE, Soft Heat, SplashGard, The Mark of Quality in Beverage Equipment Worldwide, ThermoFresh, Titan, trifecta, TRIFECTA (stylized logo), Velocity Brew, Air Brew, Beverage Bar Creator, Beverage Profit Calculator, Brew better, not bitter., Build-A-Drink, BUNNSource, Coffee At Its Best, Cyclonic Heating System, Daypart, Digital Brewer Control, Element, Milk Texturing Fusion, Nothing Brews Like a BUNN, Picture Prompted Cleaning, Pouring Profits, Signature Series, Sure Tamp, Tea At Its Best, The Horizontal Red Line, Ultra are either trademarks or registered trademarks of Bunn-O-Matic Corporation. The commercial trifecta® brewer housing configuration is a trademark of Bunn-O-Matic Corporation.

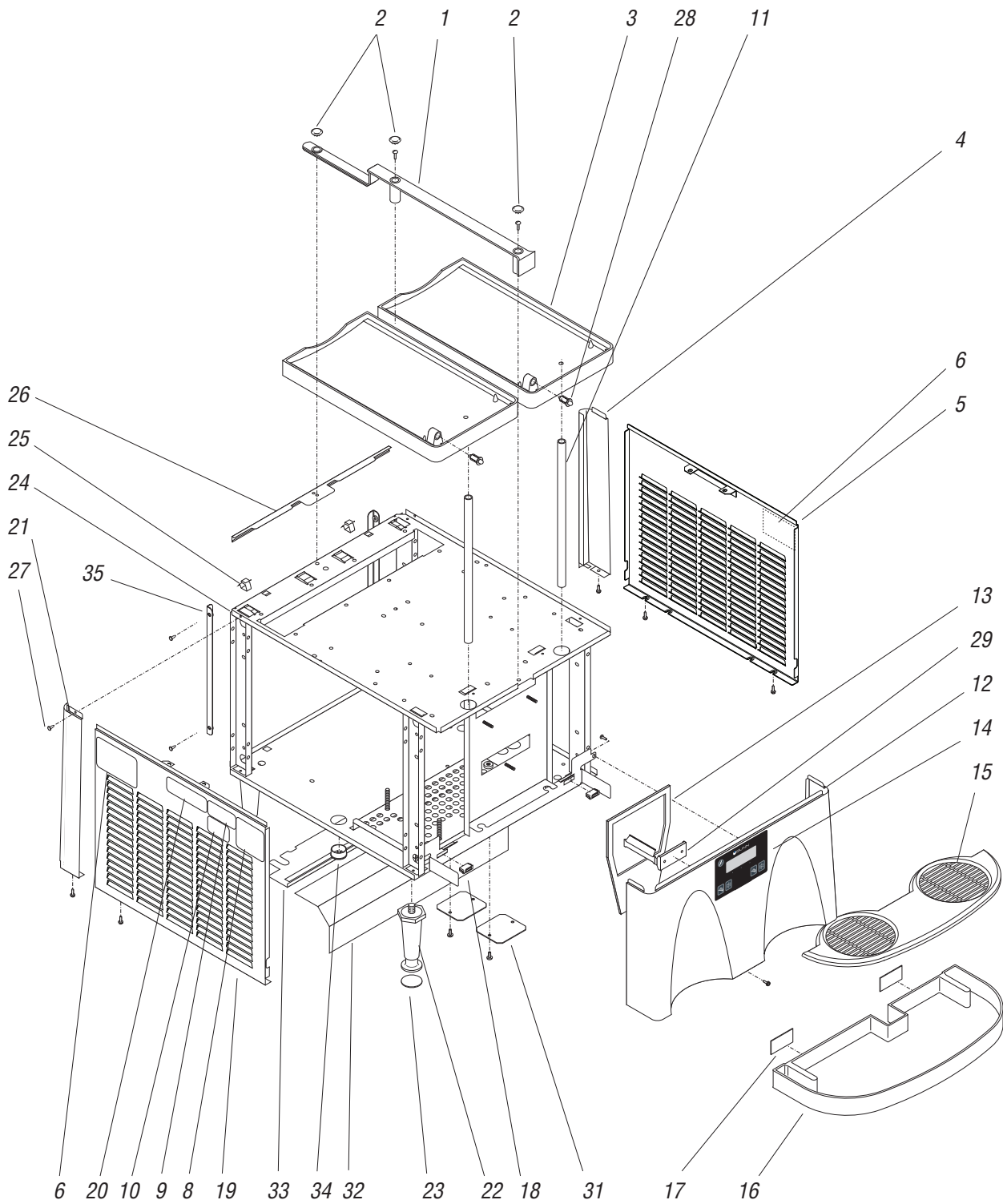
TABLE OF CONTENTS

| | |
|------------------------------------------------------|------------|
| <i>Auger Drive and Cooling Drum</i> | 20 |
| <i>Compressor and Mounting</i> | 26, 28,30 |
| <i>Condenser and Fan Mounting</i> | 24 |
| <i>Electrical and Operating Controls</i> | 40 |
| <i>Frame, Panels and Drip Tray</i> | 4 |
| <i>Hopper, Cover and Faucet</i> | 8 |
| <i>Internal Liquid Autofill Kit (Optional)</i> | 38 |
| <i>Numerical Index</i> | 44 |
| <i>PAF Platform Assembly (Early Models)</i> | 10 |
| <i>PAF Platform Assembly (Late Models)</i> | 14 |
| <i>Solenoid and Coolant Piping</i> | 32, 34, 36 |
| <i>Liquid Autofill (LAF CF) Kit</i> | 18 |



FRAME, PANELS AND DRIP TRAYS

ULTRA - 2



P2508.35

FRAME, PANELS AND DRIP TRAYS

| ITEM | PART NO. | QTY. | DESCRIPTION |
|------|-------------|------|-------------------------------------------------------------|
| 1 | 27136.0002 | 1 | Trim, Hopper/Drip Tray - WHI |
| | 27136.0003 | 1 | Trim, Hopper/Drip Tray - BLK |
| | 02329.0000 | 2 | Screw, Round Head - Locking #8-32 x .312" |
| 2 | 27394.0000 | 3 | Plug, Plastic - WHI |
| | 27394.0001 | 3 | Plug, Nylon - BLK |
| 3 | 32111.0000 | 1 | Drip Tray, Left Hopper - WHI |
| | 32111.0001 | 1 | Drip Tray, Left Hopper - BLK |
| | 32111.0002 | 1 | Drip Tray, Right Hopper - WHI |
| | 32111.0003 | 1 | Drip Tray, Right Hopper - BLK |
| | 01311.0001 | 8 | Screw, Truss Head - Locking #8-32 x .25" |
| 4 | 27058.0000 | 1 | Corner, Right Rear - SST (without Filter Stop) |
| | 27058.0002 | 1 | Corner, Right Rear - BLK (without Filter Stop) |
| | 27058.0010 | 1 | Corner, Right Rear - SST (with Filter Stop) |
| | 27058.0014 | 1 | Corner, Right Rear - BLK (with Filter Stop) |
| | 32580.0000 | 1 | Screw, Hex Head #6-32 x .25" |
| 5 | 36182.1006 | 1 | Panel W/Decals, Right Side - SST |
| | 36182.1007 | 1 | Panel W/Decals, Right Side - BLK |
| | 32580.0000 | 2 | Screw, Hex Head #6-32 x .25" |
| | | | } Each includes item 6 |
| 6 | 27442.0000 | 2 | Decal, Warning - Moving Parts |
| 7 | 32082.0002 | 1 | Schematic, Electrical 120V (ULTRA-2) |
| | 32082.0004* | 1 | Schematic, Electrical 100V (ULTRA-2B) |
| | | | } Early Models |
| 8 | 00986.0002 | 1 | Decal, Warning - Electrical |
| 9 | 51696.0000 | 1 | Decal, Caution - Two Power Cords |
| 10 | 29979.0000 | 1 | Decal, Room Temperature |
| 11 | ----- | 2 | Tube, Drain .375" I.D. x .50" O.D. x 10.50" (Order item 37) |
| 12 | 32116.1000 | 1 | Panel, Front - SST (Includes items 13,14 & 29) |
| | 32116.1001 | 1 | Panel, Front - BLK (Includes items 13,14 & 29) |
| | 32580.0000 | 1 | Screw, Hex Head #6 x .25" |
| | 02308.0000 | 2 | Screw, Pan Head Serrated #8-32 x .375" |
| 13 | 29967.1002 | 1 | Gasket, Electronic Box |
| 14 | 32126.1005 | 1 | Membrane Switch - BLK |
| 15 | 32068.0000 | 1 | Cover, Lower Drip Tray - WHI |
| | 32068.0001 | 1 | Cover, Lower Drip Tray - BLK |
| 16 | 28086.0000 | 1 | Drip Tray, Lower - WHI (Includes item 17) |
| | 28086.0001 | 1 | Drip Tray, Lower - BLK (Includes item 17) |
| 17 | 21437.1000 | 2 | Strike Assy, Self Adhesive |
| 18 | 21436.0000 | 2 | Catch, Magnetic |

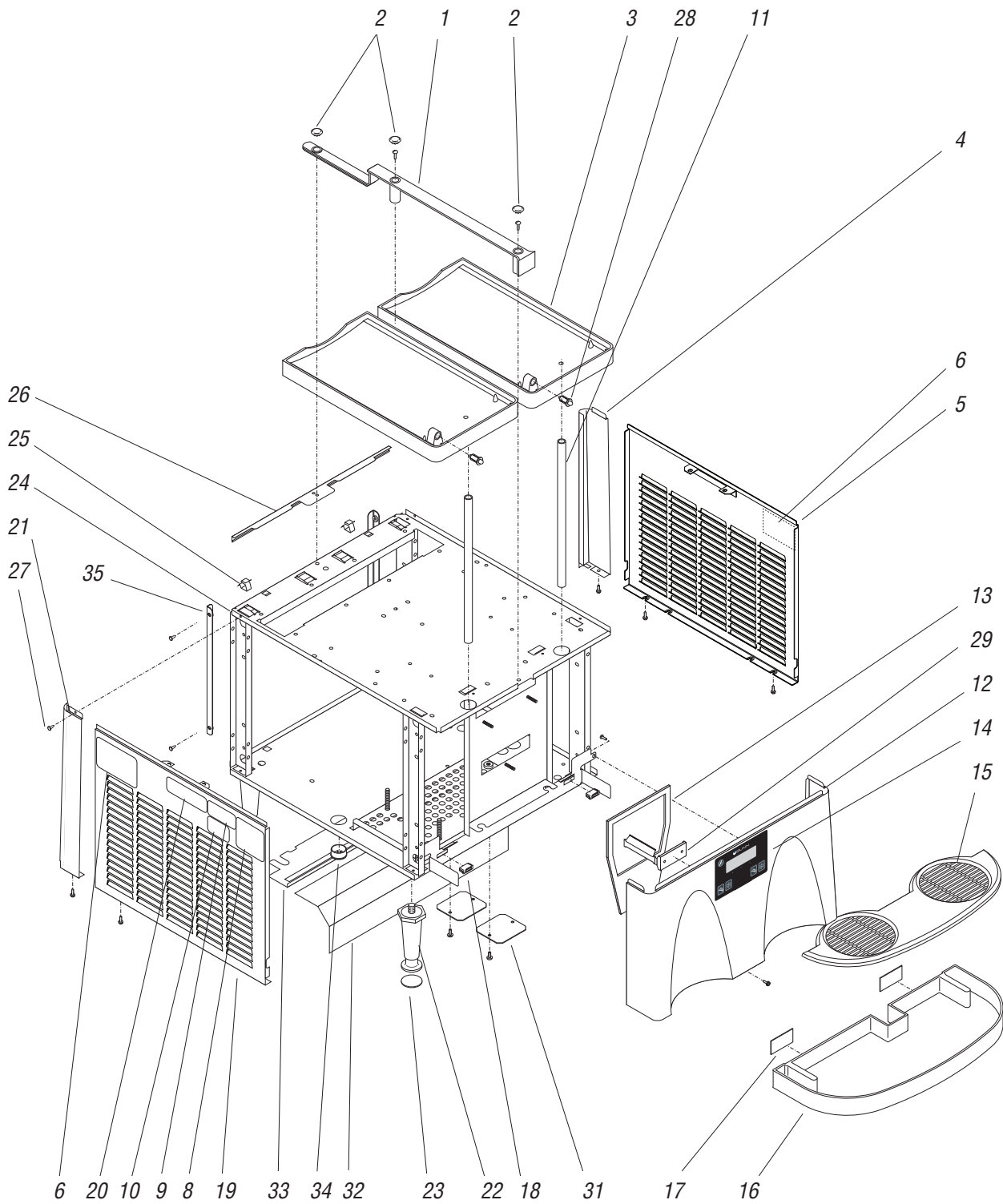
(Continued)



FRAME, PANELS AND DRIP TRAYS

ULTRA - 2

(Continued)



P2508.35

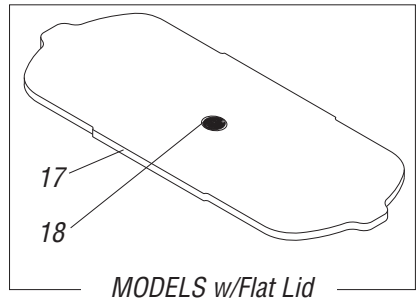
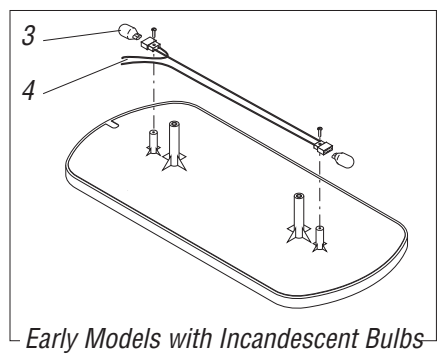
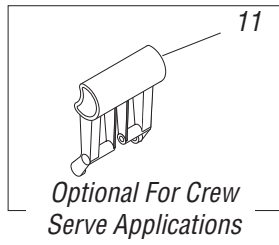
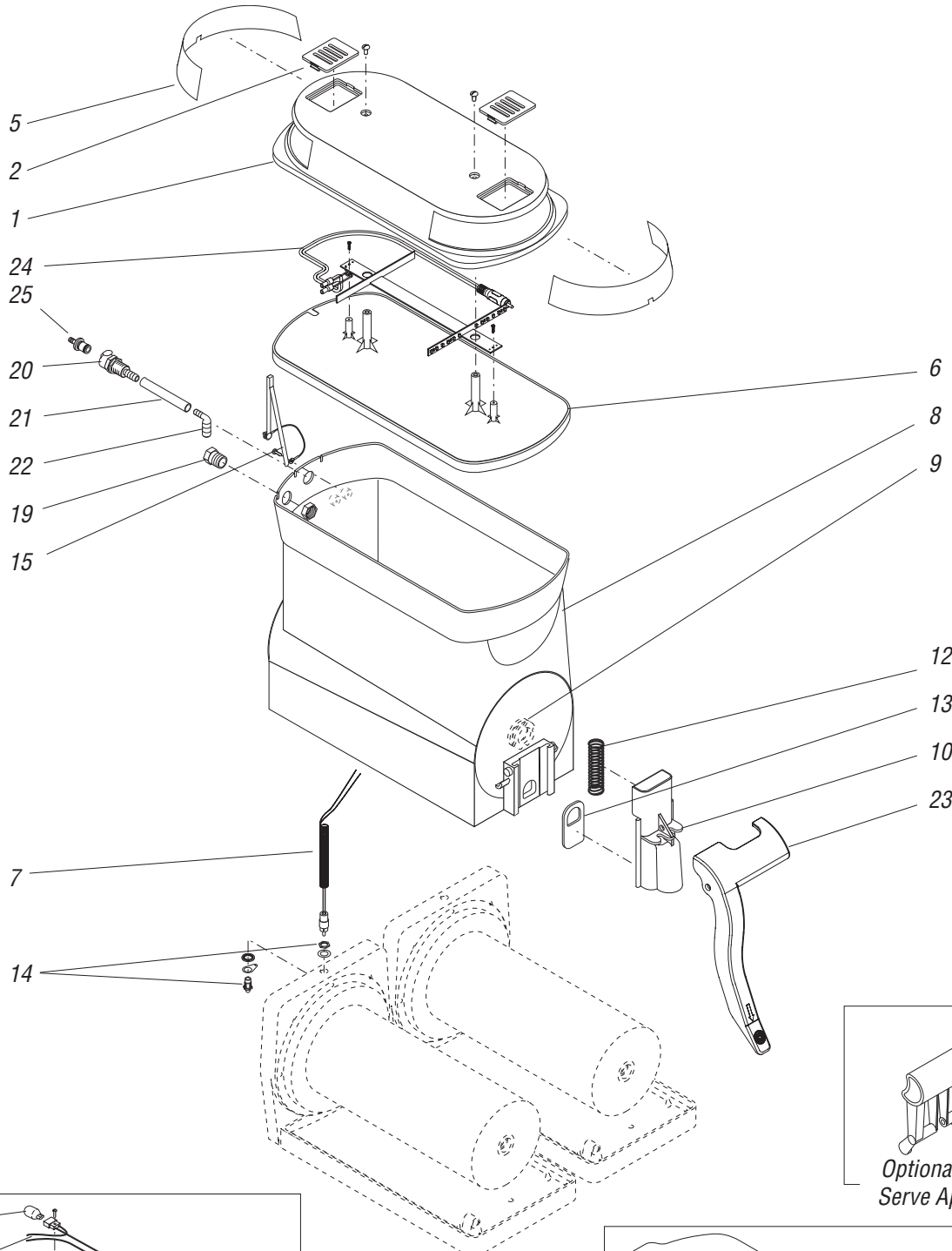
FRAME, PANELS AND DRIP TRAYS

| ITEM | PART NO. | QTY. | DESCRIPTION | |
|------|------------|------|-------------------------------------------------------------------------|--------------------------------|
| 19 | 36182.1006 | 1 | Panel W/Decals, Left Side - SST | } Each includes items 6,8,9,10 |
| | 36182.1007 | 1 | Panel W/Decals, Left Side - BLK | |
| | 32580.0000 | 2 | Screw, Hex Head #6-32 x .25" | |
| 20 | 29373.0001 | 1 | Decal, Coolant Charge | |
| 21 | 27058.0001 | 1 | Corner, Left Rear - SST (without Filter Stop) | |
| | 27058.0003 | 1 | Corner, Left Rear - BLK (without Filter Stop) | |
| | 27058.0011 | 1 | Corner, Left Rear - SST (with Filter Stop) | |
| | 27058.0015 | 1 | Corner, Left Rear - BLK (with Filter Stop) | |
| | 32580.0000 | 1 | Screw, Hex Head #6 x .25" | |
| 22 | 26528.0000 | 4 | Leg, Black Plastic - 4" Adj. (See item 36) | |
| | 03354.0000 | 4 | Leg, Black Plastic - 2.5" Adj. (See item 36) | |
| 23 | 03996.0000 | 4 | Pad, Rubber - 4" Adj. Legs (See item 36) | |
| | 03993.0000 | 4 | Pad, Rubber - 2.5" Adj. Legs (See item 36) | |
| 24 | 32124.0000 | 1 | Frame, Base (Models with AMERICOLD compressors) | |
| | 32793.0000 | 1 | Frame, Base (Models with EMBRACO compressors) | |
| | 37906.0002 | 1 | Frame, Base (Models with EMBRACO compressors - Internal Autofill Ready) | |
| | 37906.0007 | 1 | Frame, Base (Models with EMBRACO compressors)(Salt Air Resistant) | |
| 25 | 00927.0000 | 4 | Clip, Spring | |
| | 00927.0001 | 4 | Clip, Spring (Salt Air Resistant) | |
| 26 | 27131.0000 | 1 | Trim, Frame - Rear - SST | |
| | 27131.0001 | 1 | Trim, Frame - Rear - BLK | |
| 27 | 28098.0000 | 2 | Fastener, Snap-in | |
| 28 | 29702.1000 | 2 | Plunger Assy, Hopper Lock | |
| 29 | 29976.0000 | 1 | Mount, Cable | |
| 30 | 29959.0001 | 1 | Decal, Cleaning Instructions 120V (ULTRA-2) | } Early Models |
| | 29959.0002 | 1 | Decal, Cleaning Instructions 230V (ULTRA-2A) | |
| | 29959.8002 | 1 | Decal, Cleaning Instructions Spanish 120V (ULTRA-2) | |
| 31 | 37883.0000 | 2 | Cover, Hole (Internal Autofill Ready)(Salt Air Resistant) | |
| | 01382.0000 | 4 | Screw, Truss Head #6-32 x .38" | |
| 32 | 36187.0000 | 1 | Vinyl Deflector | |
| 33 | 36188.0000 | 1 | Bracket | |
| 34 | 20622.0005 | 1 | Bushing | |
| 35 | 43136.0003 | 2 | Bracket, Filter Stop SST | |
| | 43136.0001 | 2 | Bracket, Filter Stop BLK | |
| | 02335.0001 | 4 | Screw, Hex #8 x .38" | |
| 36 | 13255.0003 | - | Leg Kit, 4" Adj. Legs (Includes 4 Legs and Pads) | } Not Illustrated |
| | 13255.0006 | - | Leg Kit, 2.5" Adj. Legs (Includes 4 Legs and Pads) | |
| 37 | 12421.1001 | - | Tube, Clear Vinyl (12" Long) | } Not Illustrated |
| | 12421.1002 | - | Tube, Clear Vinyl (60" Long) | |
| | 12421.1003 | - | Tube, Clear Vinyl (120" Long) | |



HOPPER, COVER AND FAUCET

ULTRA - 2



P2509

HOPPER, COVER AND FAUCET

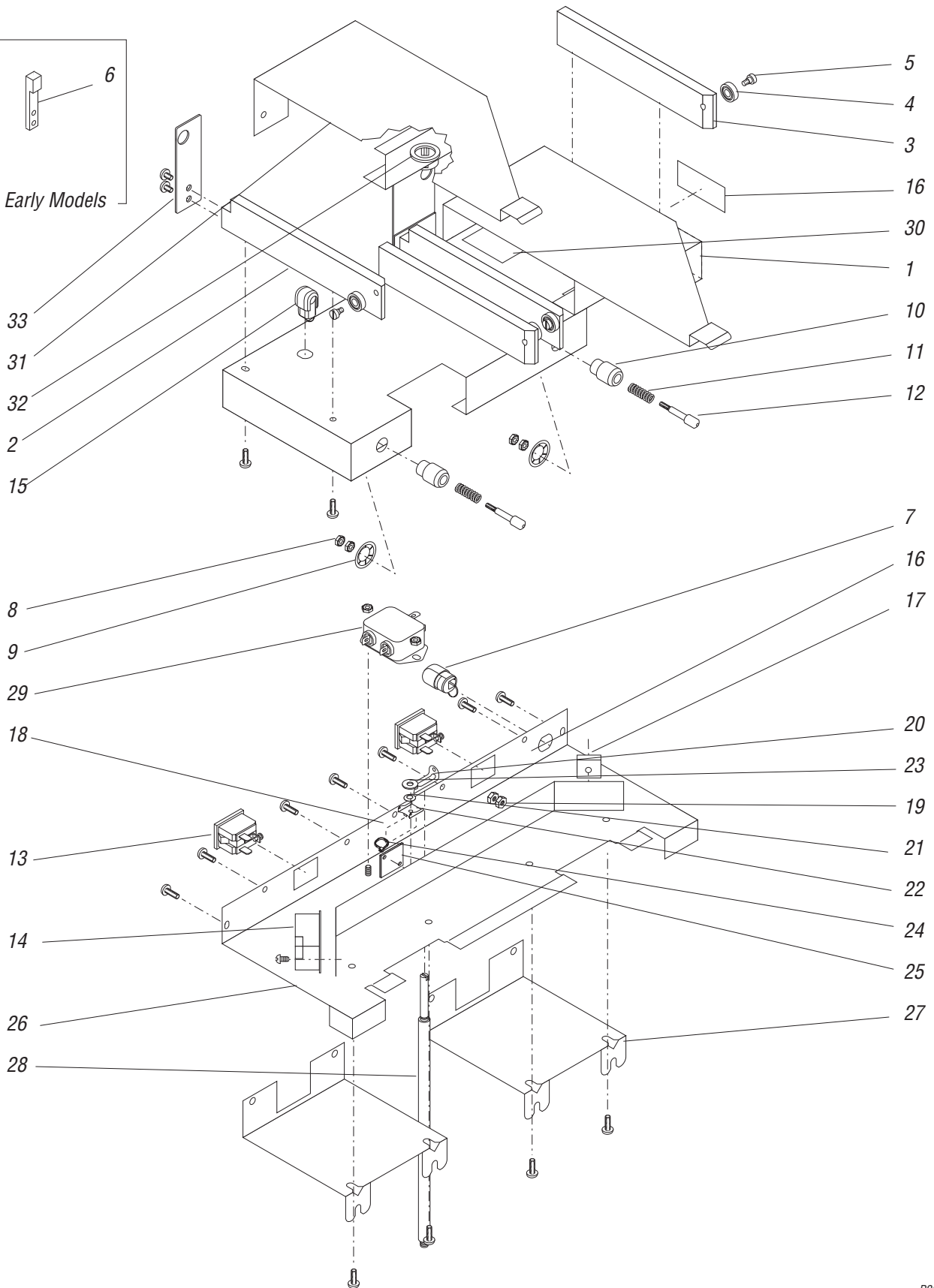
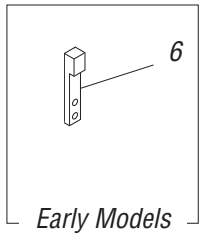
| ITEM | PART NO. | QTY. | DESCRIPTION |
|------|-------------|------|-----------------------------------------------------------------------------|
| - | 32069.1000 | 2 | Cover Assembly, Hopper, WHI (Includes items 1 thru 7)(Incandescent Bulb) |
| | 32069.1001 | 2 | Cover Assembly, Hopper, BLK (Includes items 1 thru 7)(Incandescent Bulb) |
| | 47315.1000 | 2 | Cover Assembly, Hopper, WHI (Includes items 1,2,5,6,7, and 24)(LED Lights) |
| | 47315.1001 | 2 | Cover Assembly, Hopper, BLK (Includes items 1,2,5,6,7, and 24)(LED Lights) |
| 1 | 32196.0000 | 2 | Cover, Hopper - WHI |
| | 32196.0001 | 2 | Cover, Hopper - BLK |
| | 01315.0000 | 4 | Screw, Truss Head #8-32 x .38" |
| 2 | 32105.0000 | 4 | Insert, Hopper Lid Vent - WHI |
| | 32105.0001 | 4 | Insert, Hopper Lid Vent - BLK |
| 3 | 27446.0000 | 4 | Lamp, T-5 Wedge Base |
| 4 | 27445.1000 | 2 | Lamp Holder/Socket Assy (Includes two of item 16) |
| | 32096.0001 | 4 | Screw, Pan Head #2-56 x .50" |
| 5 | 32266.0000 | 4 | Insert, Hopper Display |
| 6 | 32195.0000 | 2 | Liner Assy, Hopper Cover |
| 7 | 32267.1000 | 2 | Cord Assy, Lamp (Includes two of item 16) |
| 8 | 32190.1000 | 2 | Hopper Assy. (Includes item 9) |
| | 32190.1001 | 2 | Hopper Assy. (For Models with PAF) (Includes item 9) |
| | 32190.1003 | 2 | Hopper Assy. (For Models Internal Autofill Ready or AFPO) (Includes item 9) |
| | 32190.1005 | 2 | Hopper Assy. (For Models LAF CF) (Includes item 9) |
| 9 | 32189.0000 | 2 | Bushing, Auger Nose |
| 10 | 32191.0003 | 2 | Faucet - WHI |
| 11 | 32265.0001 | 2 | Handle, Faucet - BLK (Optional for Crew Serve Applications) |
| 12 | 32193.0000 | 2 | Spring, Faucet |
| 13 | 32268.1000 | 1 | Seal Kit (Includes 2 seals) |
| | 32268.1001 | 1 | Seal Kit (Includes 1 seal) |
| 14 | 27643.1000 | 2 | Connector Assy (Includes Nut, Washer, Leads & Plug) |
| | 39967.0000 | 2 | Washer, SST |
| | 01532.0001 | 2 | Lockwasher, Internal-tooth .375" |
| 15 | 32916.0002 | 2 | Tether/Probe Kit (For Models with PAF) |
| | 39257.0000 | 2 | Tether/Probe Kit (For Models Autofill Ready) |
| | 01393.0000 | 2 | Screw, Truss Head #6 x .25" |
| 16 | 03851.0000 | 4 | Wire Nut (Not Illustrated) |
| 17 | 29481.0001 | 1 | Cover, Flat (Includes item 18) |
| 18 | 00778.0000 | 1 | Decal, BUNN |
| 19 | 28776.0001 | 4 | Plug (Two less used on Liquid Autofill with No Water lines) |
| | 24566.0000 | 4 | Nut |
| 20 | 28756.1000 | 4 | Fitting, Quick Disconnect |
| 21 | 28755.0003* | 4 | Tube, Norprene .25" ID x 1.25" |
| 22 | 28770.0000 | 4 | Elbow .25" Barb x .50" Barb |
| 23 | 44614.1000 | 2 | Handle (Low Level Access) |
| 24 | 46331.0001 | 1 | LED & Cord Assy |
| | 32096.0002 | 2 | Screw, Pan Head #2-28 x .38" |
| 25 | 38021.0000 | 1 | Fitting, Quick Disconnect, .25" Male |
| | 42921.0000 | 1 | Fitting, Quick Disconnect, .38" Male |

Internal Autofill
Ready Models



PAF PLATFORM ASSEMBLY (Early Models)

ULTRA - 2



P2517

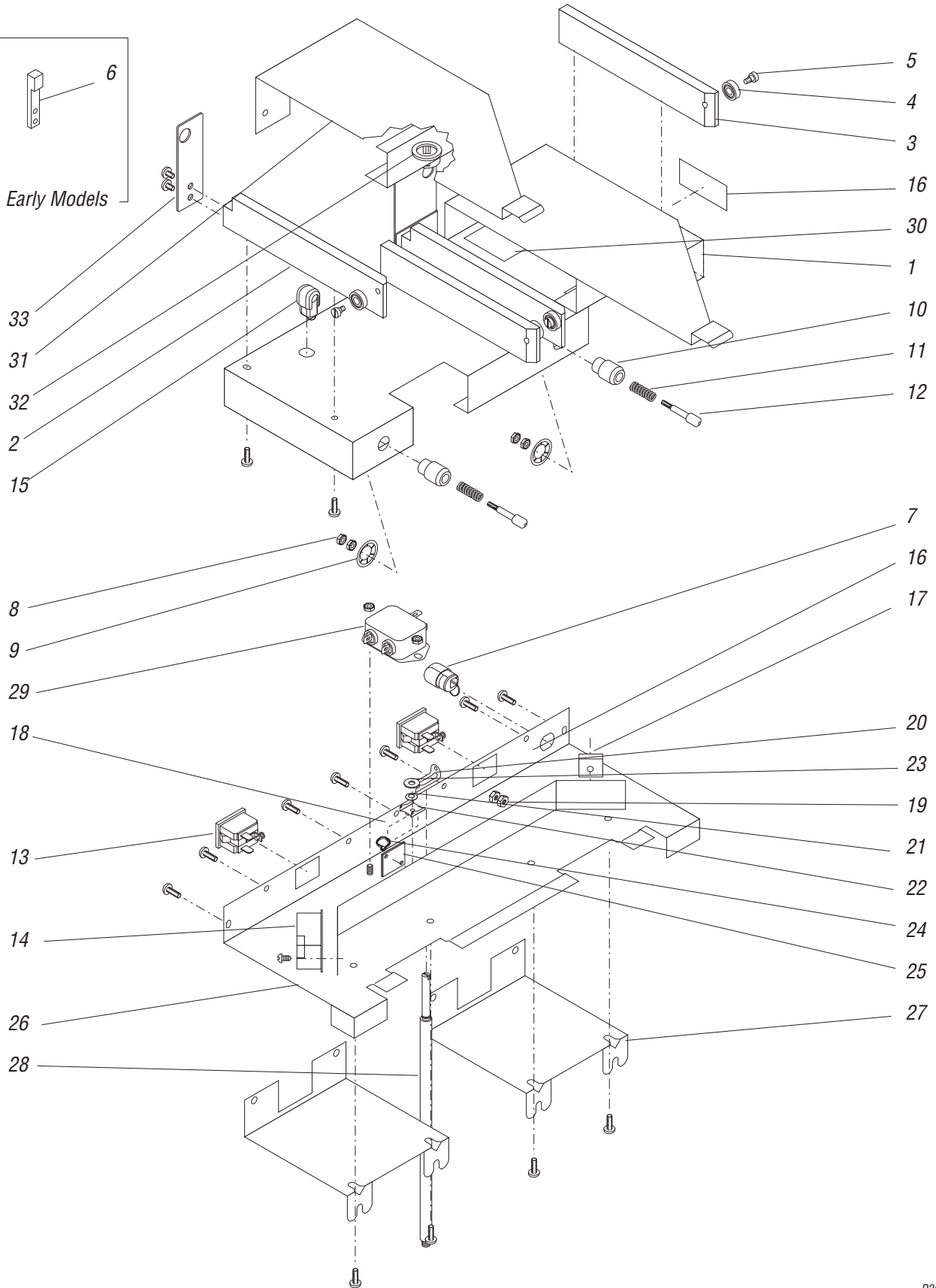
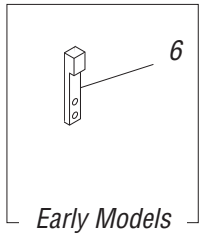
PAF PLATFORM ASSEMBLY (Early Models)

| ITEM | PART NO. | QTY. | DESCRIPTION |
|------|-------------|------|-------------------------------------------------------------------|
| - | 29941.1000 | 1 | Platform Assy. 120V SST (Includes items 1 thru 28 and 30 thru 34) |
| - | 29941.1001 | 1 | Platform Assy. 120V BLK (Includes items 1 thru 28 and 30 thru 34) |
| - | 29941.1002 | 1 | Platform Assy. 230V SST (Includes items 1 thru 34) |
| - | 29941.1003 | 1 | Platform Assy. 230V BLK (Includes items 1 thru 34) |
| 1 | 29940.1000 | 1 | Housing w/Decals SST (Includes item 16) |
| | 29940.1002 | 1 | Housing w/Decals BLK (Includes items 16 and 30) |
| 2 | 29591.0001 | 2 | Guide Rail RH |
| | 01330.0000 | 4 | Screw #10-32 x .38" |
| 3 | 29591.0002 | 2 | Guide Rail LH |
| | 01330.0000 | 4 | Screw #10-32 x .38" |
| 4 | 29724.0000 | 4 | Roller |
| 5 | 24457.0001 | 4 | Shoulder Bolt |
| | 01522.0001 | 4 | Washer |
| 6 | 32632.0000 | 2 | Latch (Early Models) |
| | 01311.0001 | 4 | Screw, Truss Head Locking #8-32 x .25" |
| 7 | 01666.0002 | 1 | Bushing, Relief (120V) |
| | 05746.0000 | 1 | Bushing, Relief (230V) |
| 8 | 00906.0000 | 4 | Nut |
| 9 | 29742.0000 | 2 | Retainer |
| 10 | 29726.0000 | 2 | Housing, Spring Contact |
| 11 | 27788.0000 | 2 | Spring |
| 12 | 27748.0000 | 2 | Pin |
| 13 | 03628.0000 | 2 | Receptacle 120V |
| | 32197.0000 | 2 | Receptacle 230V |
| 14 | 32104.0000 | 1 | Relay, Lighting |
| | 01382.0000 | 2 | Screw, Truss Head #6-32 x .38" |
| 15 | 00707.0000 | 1 | Bushing, Relief |
| 16 | 51696.0000 | 1 | Decal, Dual Power Cord |
| 17 | 22126.0000 | 1 | Rectifier |
| | 00908.0000 | 1 | Nut #8-32 |
| 18 | 29844.0000* | 1 | Decal, Receptacle - PAF Only |
| | 29844.0001 | 1 | Decal, Receptacle - PAFA Only |
| 19 | 00908.0000 | 2 | Nut, Grounding Stud |
| 20 | 33524.0000 | 1 | Latch, Support Rod |
| 21 | 33527.0000 | 1 | Washer |
| 22 | 33525.0000 | 1 | Guide |
| 23 | 01521.0000 | 1 | Washer |

(Continued)



(Continued)



P2517

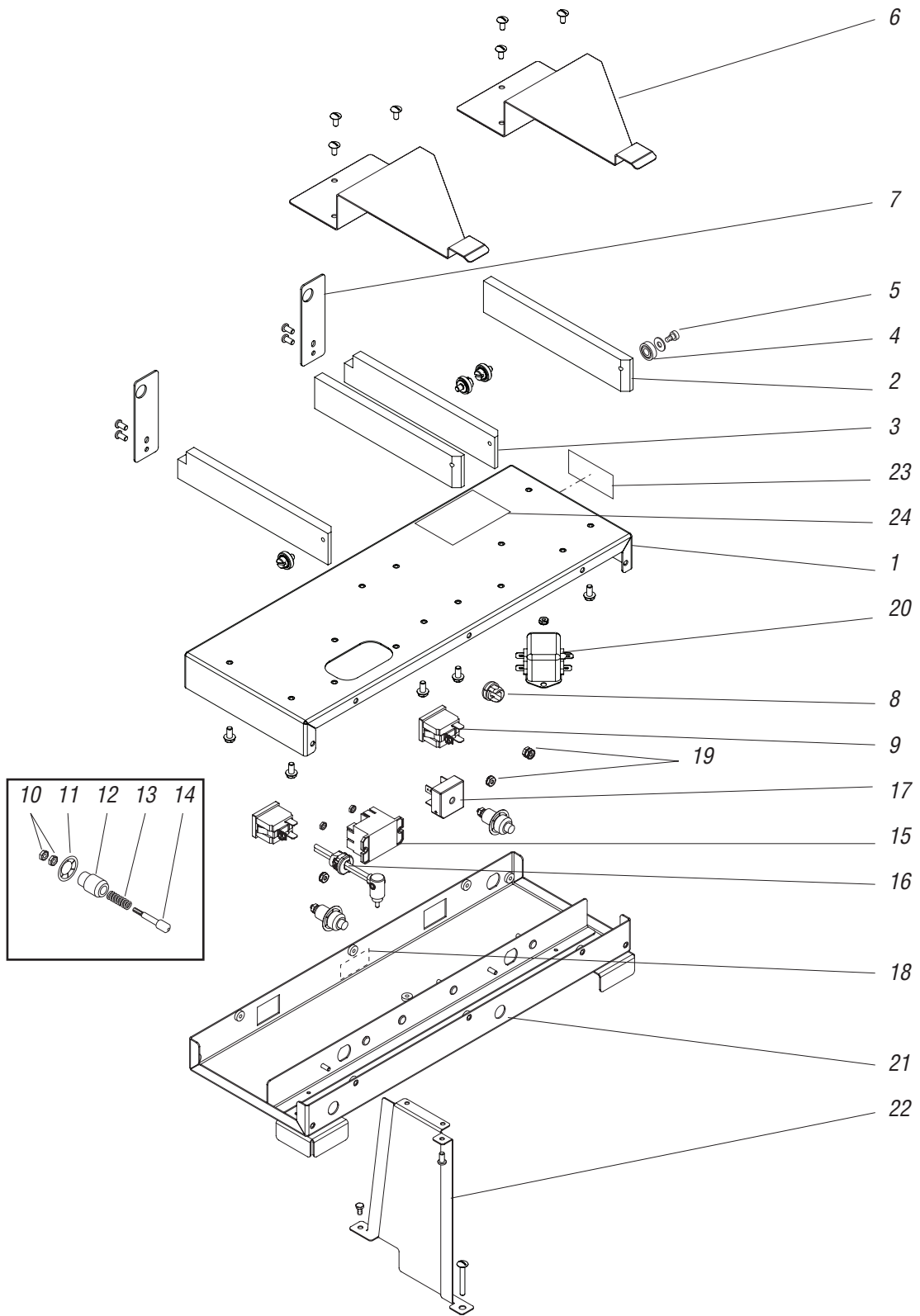
PAF PLATFORM ASSEMBLY (Early Models)

| ITEM | PART NO. | QTY. | DESCRIPTION | |
|------|-------------|------|--------------------------------------------|-------------------|
| 24 | 00617.0000 | 1 | Cable Tie | |
| 25 | 22749.0000 | 1 | Mounting Pad, Cable Tie | |
| 26 | 29943.1000 | 1 | Cover, Bottom SST (120V)(Includes item 18) | |
| | 29943.1001 | 1 | Cover, Bottom BLK (120V)(Includes item 18) | |
| | 29943.0002 | 1 | Cover, Bottom SST (230V) | |
| | 29943.0003 | 1 | Cover, Bottom BLK (230V) | |
| | 01315.0000 | 7 | Screw, SST, Truss Head #8-32 x .38" | |
| | 02322.0002 | 7 | Screw, BLK, Truss Head #8-32 x .38" | |
| 27 | 29942.0000* | 2 | Bracket SST | |
| | 29942.0001 | 2 | Bracket BLK | |
| | 01317.0000 | 4 | Screw, Truss Head #8-32 x .50" | |
| 28 | 29936.0000 | 1 | Rod, Support | |
| 29 | 29446.0001 | 1 | EMI Filter (230V) | |
| | 00908.0000 | 2 | Nut #8-32 | |
| 30 | 00986.0002 | 1 | Decal, Electrical Warning | |
| 31 | 34573.0000* | 2 | Latch Bracket | } Late Models |
| 32 | 01663.0000 | 2 | Bushing, Snap | |
| 33 | 34575.0000* | 2 | Plate, Guide | |
| | 01311.0001 | 4 | Screw, Truss Head Locking #8-32 x .25" | |
| 34 | 20630.0007 | 1 | Power Cord (120V) | } Not Illustrated |
| | 28111.0005 | 1 | Power Cord (230V) | |
| | 32212.0001 | 1 | Power Cord (230V EURO) | |
| 35 | 29948.0000 | 1 | Harness, Main (120V) | |
| | 29948.0001 | 1 | Harness, Main (230V) | |
| 36 | 32267.1000 | 1 | Lamp Cord (Includes item 34) | |
| 37 | 29763.0000 | 2 | Resister, Probe Detector | |
| 38 | 03851.0000 | 2 | Wire Nut | |



PAF PLATFORM ASSEMBLY (Late Models)

ULTRA - 2



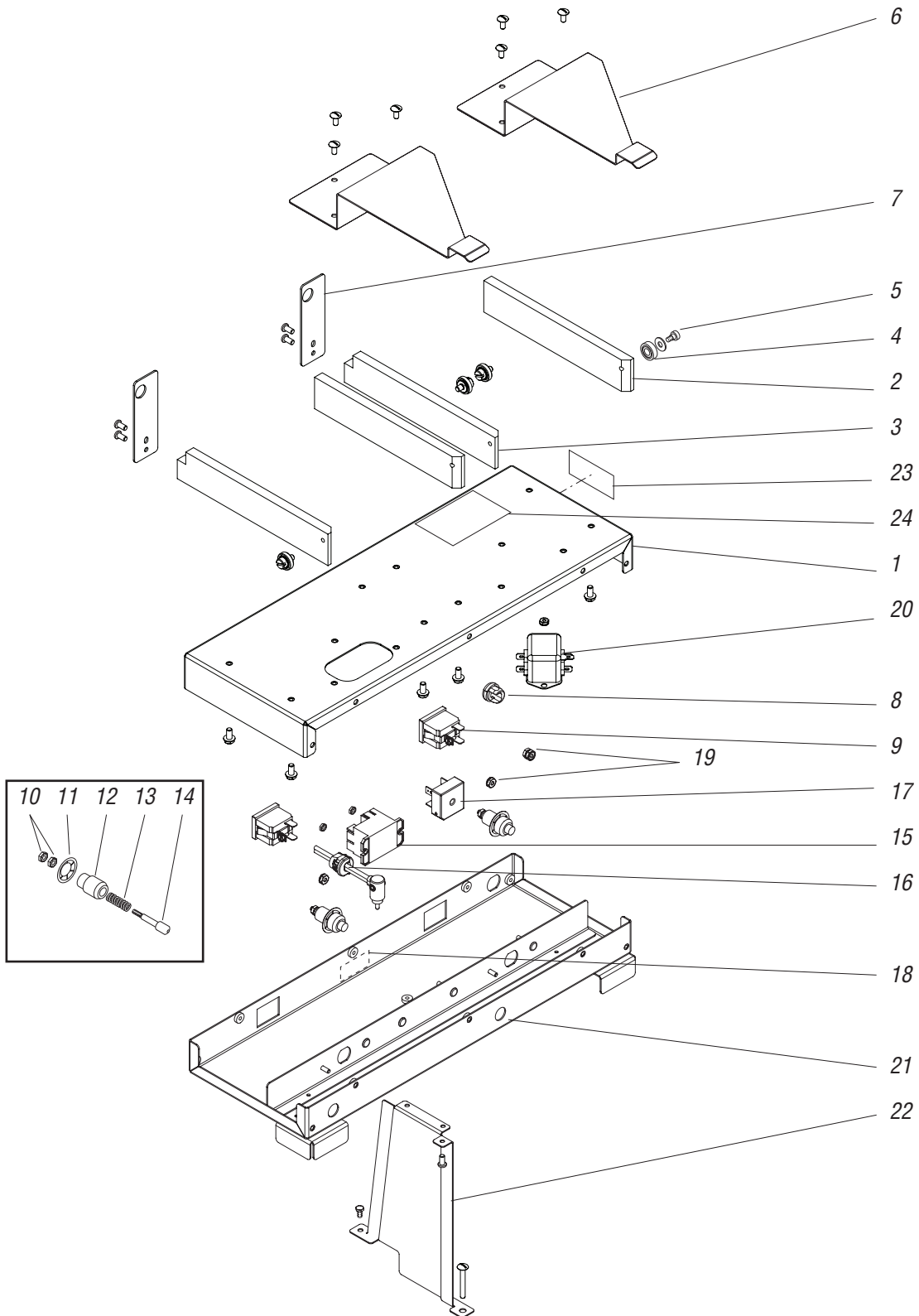
PAF PLATFORM ASSEMBLY (Late Models)

| ITEM | PART NO. | QTY. | DESCRIPTION |
|------|-------------|------|--------------------------------------------|
| 1 | 47237.0000 | 1 | Cover SST (Includes item 23) |
| | 47237.0001 | 1 | Cover BLK (Includes item 23) |
| 2 | 29591.0001 | 2 | Guide Rail RH |
| | 01330.0000 | 4 | Screw #10-32 x .38" |
| 3 | 29591.0002 | 2 | Guide Rail LH |
| | 01330.0000 | 4 | Screw #10-32 x .38" |
| 4 | 29724.0000 | 4 | Roller |
| 5 | 24457.0001 | 4 | Shoulder Bolt |
| | 01522.0001 | 4 | Washer |
| 6 | 47245.0000 | 2 | Latch |
| | 01315.0000 | 6 | Screw, Truss Head #8-32 x .38" |
| 7 | 34575.0001 | 2 | Plate, Retainer |
| | 02322.0002 | 4 | Screw, Truss Head BLK #8-32 x .38" |
| 8 | 00707.0000 | 1 | Bushing, Relief (120V) |
| | 05746.0000 | 1 | Bushing, Relief (230V) |
| 9 | 03628.0000 | 2 | Receptacle 120V |
| | 32197.0000 | 2 | Receptacle 230V |
| 10 | 00906.0000 | 4 | Nut |
| 11 | 29742.0000 | 2 | Retainer |
| 12 | 29726.0001 | 2 | Housing, Spring Contact |
| 13 | 27788.0000 | 2 | Spring |
| 14 | 27748.0000 | 2 | Pin |
| 15 | 32104.0000 | 1 | Relay, Lighting |
| | 00973.0001 | 2 | Nut, keps #6-32 |
| 16 | 47280.0001 | 1 | Bushing, Relief |
| 17 | 22126.0000 | 1 | Rectifier |
| | 00973.0001 | 1 | Nut, keps #6-32 |
| 18 | 29844.0000* | 1 | Decal, Receptacle - PAF Only |
| | 29844.0001 | 1 | Decal, Receptacle - PAFA Only |
| 19 | 00973.0001 | 4 | Nut, Grounding Stud |
| 20 | 29446.0009 | 1 | EMI Filter (230V) |
| | 00973.0001 | 1 | Nut, keps #6-32 |
| 21 | 47243.0000 | 1 | Base, Housing SST (120V)(Includes item 18) |
| | 47243.0001 | 1 | Base, Housing BLK (120V)(Includes item 18) |
| | 47243.0002 | 1 | Base, Housing SST (230V) |
| | 47243.0003 | 1 | Base, Housing BLK (230V) |
| | 01315.0000 | 10 | Screw, SST, Truss Head #8-32 x .38" |
| | 02322.0002 | 10 | Screw, BLK, Truss Head #8-32 x .38" |

(Continued)



(Continued)

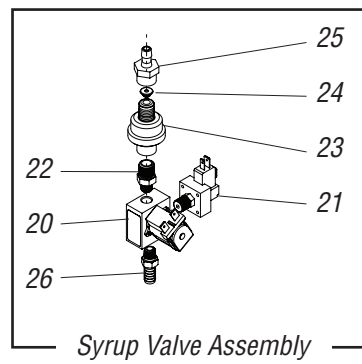
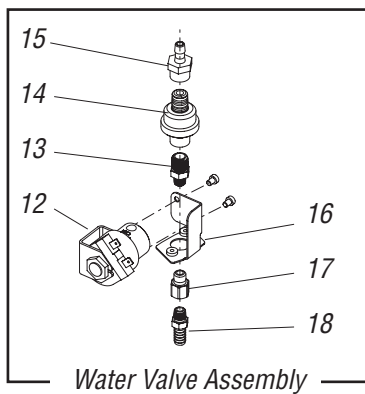
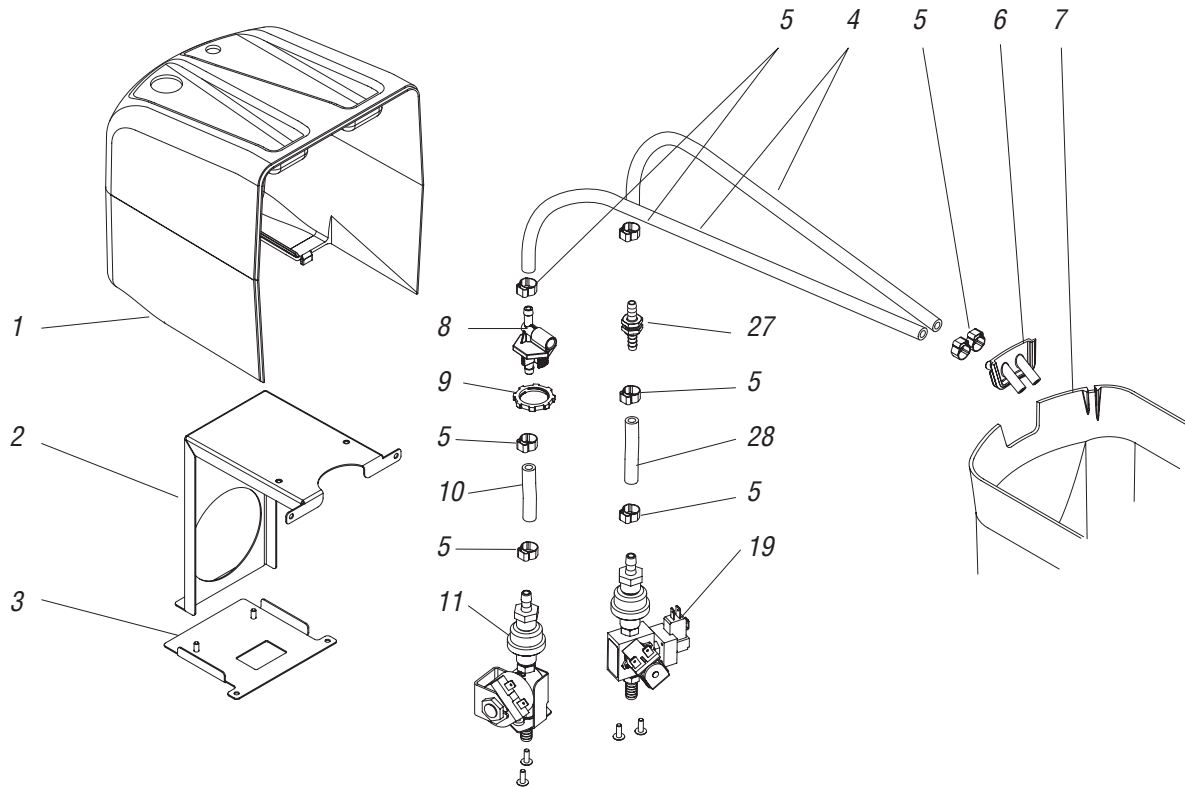


PAF PLATFORM ASSEMBLY (Late Models)

| ITEM | PART NO. | QTY. | DESCRIPTION |
|------|------------|------|-------------------------------------|
| 22 | 47244.0000 | 1 | Bracket, Support SST |
| | 47244.0001 | 1 | Bracket, Support BLK |
| | 01315.0000 | 3 | Screw, SST, Truss Head #8-32 x .38" |
| | 02322.0002 | 3 | Screw, BLK, Truss Head #8-32 x .38" |
| | 01384.0002 | 1 | Screw, Truss Head #8-32 x 2.0" |
| | 02314.0000 | 1 | Screw, Pan Head .25-20 x 0.5" |
| 23 | 51696.0000 | 1 | Decal, Dual Power Cord |
| 24 | 00986.0002 | 1 | Decal, Electrical Warning |

The following items are not illustrated

| | | | |
|----|------------|---|------------------------------|
| 25 | 00617.0000 | 1 | Cable Tie |
| 26 | 20630.0007 | 1 | Power Cord (120V) |
| | 33529.0011 | 1 | Power Cord (230V) |
| 27 | 29948.0000 | 1 | Harness, Main (120V) |
| | 29948.0001 | 1 | Harness, Main (230V) |
| 28 | 32267.1000 | 1 | Lamp Cord (Includes item 30) |
| 29 | 29763.0000 | 2 | Resister, Probe Detector |
| 30 | 03851.0000 | 2 | Wire Nut |



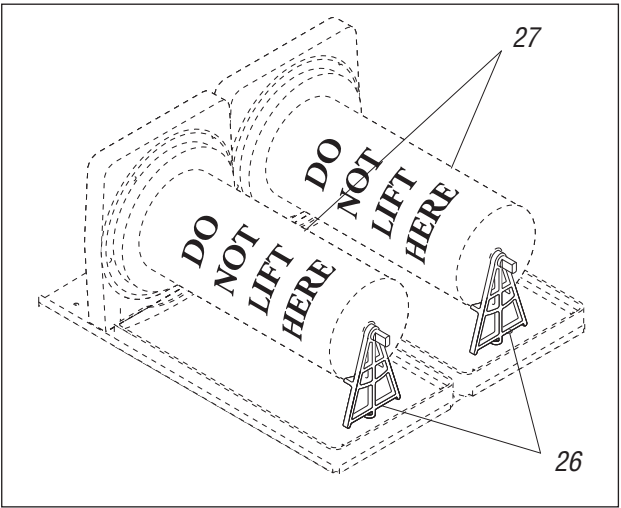
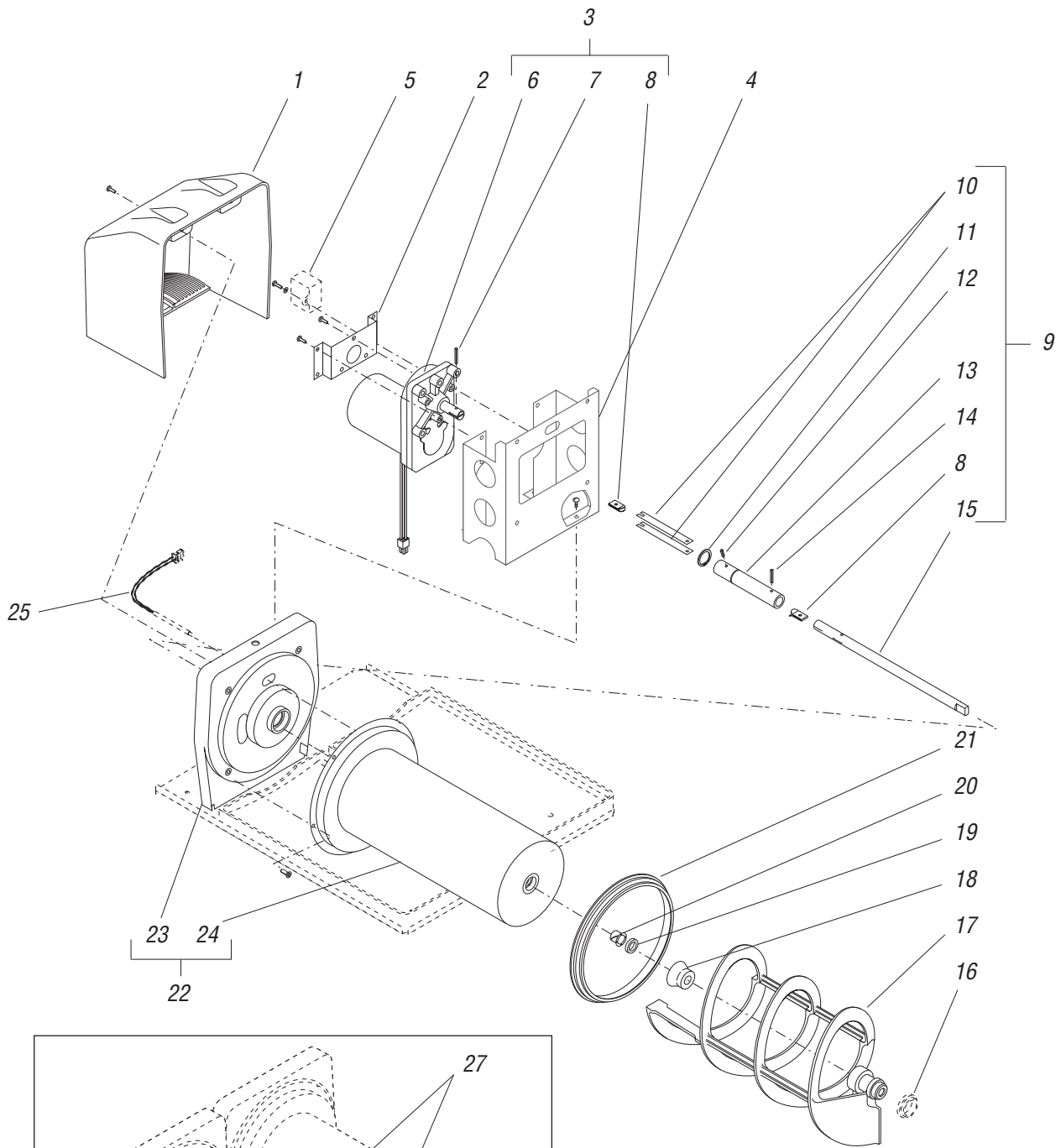
LIQUID AUTOFILL (LAF CF) KIT

| ITEM | PART NO. | QTY. | DESCRIPTION |
|------|-------------|------|--------------------------------------------------------|
| 1 | ----- | 2 | Cover, Auger Motor (See AUGER DRIVE & COOLING DRUM) |
| 2 | 43145.0000 | 2 | Bracket, Support |
| | 00970.0000 | 8 | Nut, Keps #8-32 |
| 3 | 43131.0000 | 2 | Bracket, Cover Mounting |
| | 02308.0000 | 4 | Screw, Pan Head Serrated #8-32 x .375" |
| 4 | 38129.0017* | 4 | Hose, Braided .25" ID x 11.0" (Order item 29) |
| 5 | 21275.0006 | 16 | Clamp |
| 6 | 43823.0000 | 2 | Fitting |
| 7 | ----- | 2 | Hopper (See HOPPER, COVER AND FAUCET) |
| 8 | 43115.0000 | 2 | Valve, Needle |
| 9 | 45042.1000 | 2 | Locknut |
| 10 | 38129.0023* | 2 | Hose, Braided .25" ID x 1.75" (Order item 29) |
| 11 | 43130.1001 | 2 | Valve Assy, Water, 120V |
| | 43130.1003 | 2 | Valve Assy, Water, 230V |
| | 01317.0000 | 4 | Screw, Truss Head #8-32 x .50" |
| | | | Includes items 12-18 |
| 12 | 01085.0008 | 2 | Valve, Solenoid |
| | 44945.0000 | 4 | Screw |
| 13 | 46341.0000 | 2 | Fitting |
| 14 | 42193.0000 | 2 | CF Valve |
| 15 | 43124.0001 | 2 | Fitting |
| 16 | 43907.0000 | 2 | Bracket |
| 17 | 00430.0001 | 2 | Adapter |
| 18 | 43122.0002 | 2 | Fitting |
| 19 | 43130.1002 | 2 | Valve Assy, Syrup, 120V |
| | 43130.1004 | 2 | Valve Assy, Syrup, 230V |
| | 01317.0000 | 4 | Screw, Truss Head #8-32 x .50" |
| | | | Includes items 20-26 |
| 20 | 43128.0000 | 2 | Valve, Solenoid |
| 21 | 44011.0002 | 2 | Switch, Pressure |
| 22 | 46341.0000 | 2 | Fitting |
| 23 | 42193.0000 | 2 | CF Valve |
| 24 | 43941.1000 | 2 | Orifice, .0465 BLK |
| | 43941.1001 | 2 | Orifice, .0350 WHT |
| 25 | 43124.0001 | 2 | Fitting |
| 26 | 43122.0002 | 2 | Fitting |
| 27 | 43121.0000 | 2 | Fitting, Bulkhead |
| 28 | 38129.0005* | 2 | Hose, Braided .25" ID x 2.25" (Order item 29) |
| 29 | 38129.1000 | - | Hose, Braided .25" ID x 12.0" (Cut to required length) |
| 30 | 43841.0000 | 2 | Harness Valve Wiring 120V |
| | 43841.0001 | 2 | Harness Valve Wiring 230V |
| | | | Not Illustrated |



AUGER DRIVE AND COOLING DRUM

ULTRA - 2



P2510

AUGER DRIVE AND COOLING DRUM

| ITEM | PART NO. | QTY. | DESCRIPTION |
|------|-------------|------|---------------------------------------------------------------------------|
| 1 | 27231.0000 | 2 | Cover, Auger Motor - WHI |
| | 27231.0001 | 2 | Cover, Auger Motor - BLK |
| | 43118.0000 | 2 | Cover, Auger Motor - WHI |
| | 43118.0001 | 2 | Cover, Auger Motor - BLK |
| | 01317.0000 | 4 | Screw, Truss Head #8-32 x .50" |
| | | | } Models with LAF CF |
| 2 | 27232.0000 | 2 | Bracket, Auger Motor Mounting |
| | 27232.0004 | 2 | Bracket, Auger Motor Mounting (Salt Air Resistant) |
| | 02308.0000 | 6 | Screw, Pan Head Serrated #8-32 x .375" |
| 3 | 28093.1000 | 2 | Motor Assy, Auger (Includes items 6, 7 & 8) (120V) |
| | 28093.1003 | 2 | Motor Assy, Auger (Includes items 6, 7 & 8) (230V) |
| | 01326.0002 | 6 | Screw, Pan Head #10-32 x .375" |
| 4 | 32108.0002 | 2 | Bracket, Auger Motor/Cooling Drum Mounting |
| | 32108.0008 | 2 | Bracket, Auger Motor/Cooling Drum Mounting (Salt Air Resistant) |
| | 01311.0001 | 8 | Screw, Truss Head - Locking #8-32 x .25" |
| 5 | ----- | 2 | Capacitor, Motor (See ELECTRICAL AND OPERATING CONTROLS) |
| | 01317.0000 | 2 | Screw, Truss Head #8-32 x .50" |
| | 01501.0000 | 2 | Washer #8 |
| | 01511.0000 | 2 | Lockwasher, Ext.-tooth #8 |
| 6 | 27179.0004* | 1 | Motor Assembly, Auger (120V)(Order item 3) |
| | 27179.0005* | 1 | Motor Assembly, Auger (230V)(Order item 3) |
| 7 | 34836.0002 | 1 | Pin, Drive .125" O.D. x .94" |
| 8 | 27440.0001 | 2 | Bearing, Torsion Spring |
| 9 | 28081.0001 | 2 | Shaft Assy, Auger Drive (Includes items 8, 10 thru 15) (Also use item 28) |
| 10 | 27223.0000 | 2 | Spring, Torsion |
| 11 | 27228.0000 | 1 | Snap Ring |
| 12 | 11556.0001 | 1 | Pin, Split .125" O.D. x .437" |
| 13 | 27224.0000 | 1 | Retainer, Torsion Spring |
| 14 | 34836.0001 | 1 | Pin, Split .125" O.D. x .75" |
| 15 | 32449.0000 | 1 | Shaft, Auger |
| 16 | 32189.0000 | 2 | Bushing, Auger - Front |
| 17 | 32106.1000 | 2 | Auger |
| 18 | 26780.0000 | 2 | Seal, Auger Shaft |
| 19 | 37593.0000 | 2 | Seal, Cooling Drum |
| 20 | 26781.0000 | 2 | Bushing, Auger Shaft |
| 21 | 32079.0000 | 2 | Seal, Cooling Drum/Hopper |

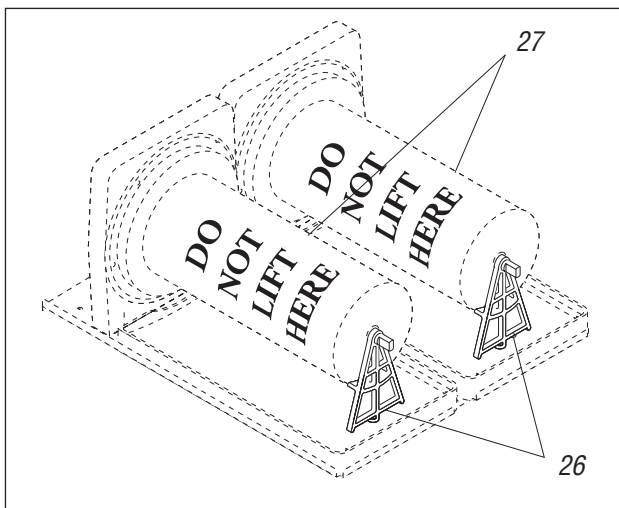
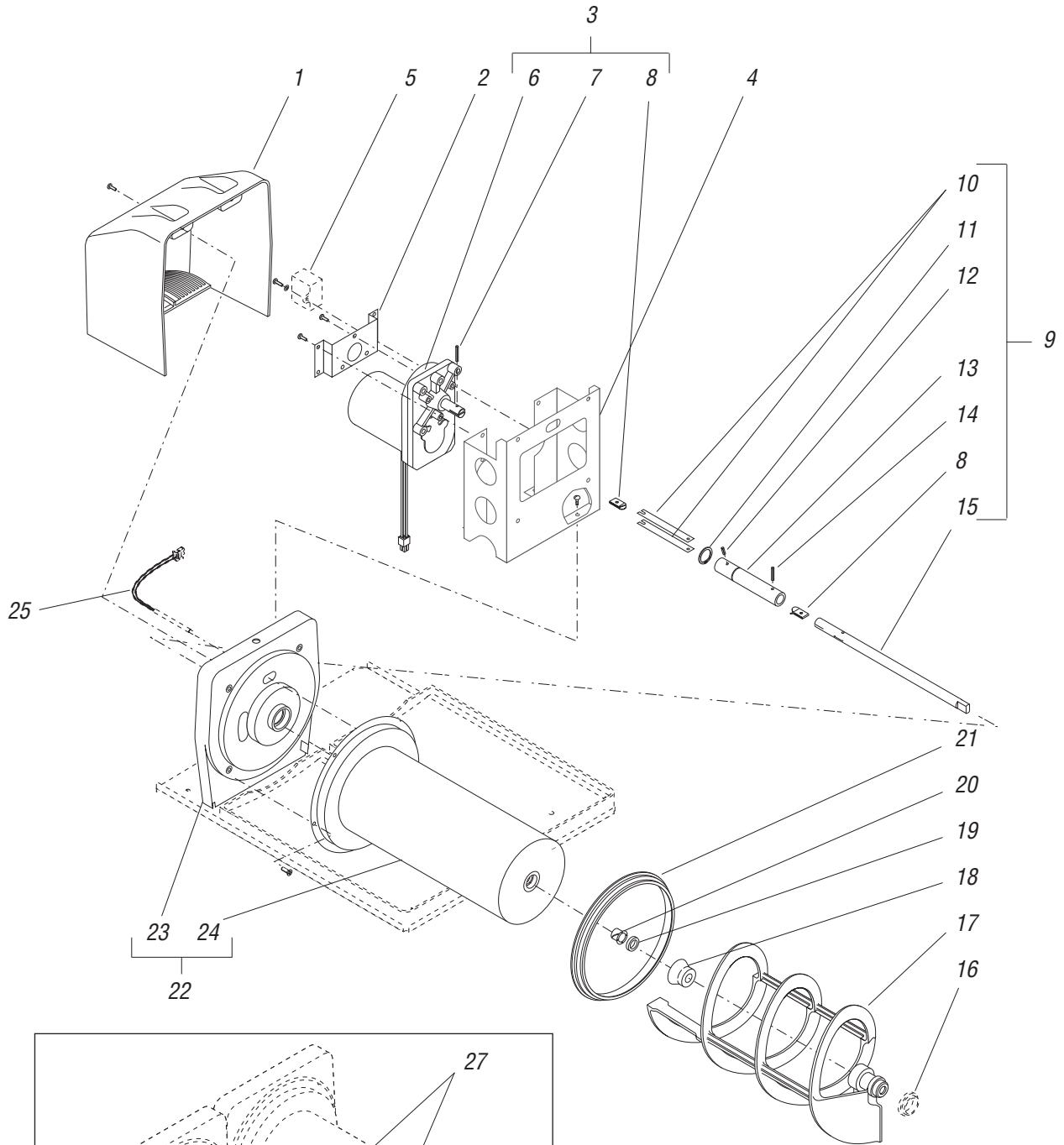
(Continued)



AUGER DRIVE AND COOLING DRUM

ULTRA - 2

(Continued)



P2510

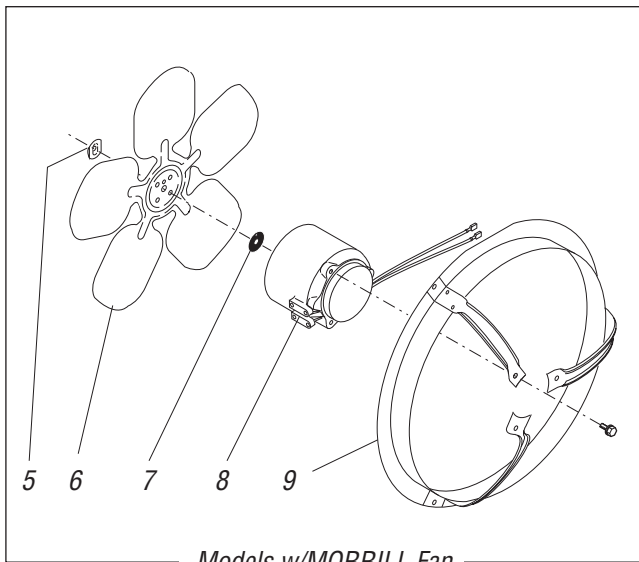
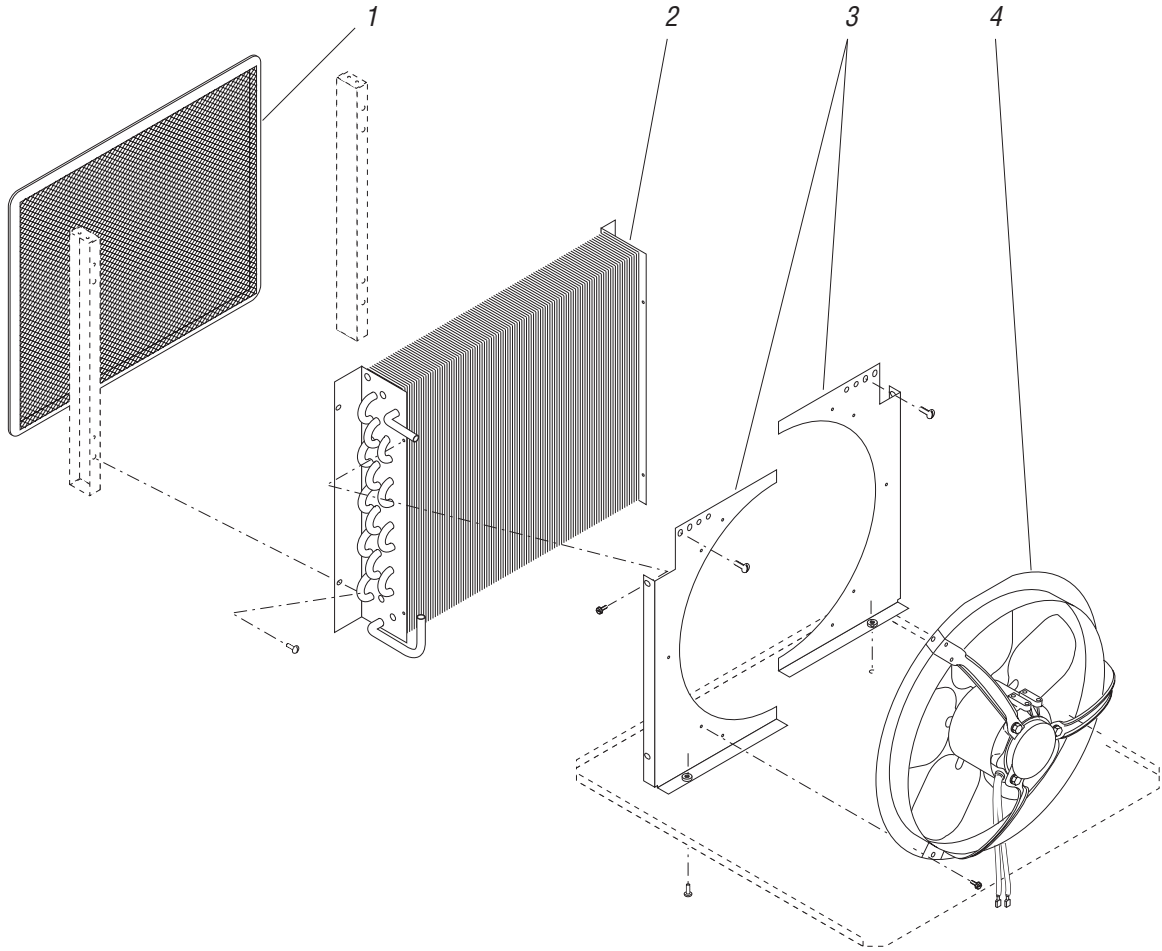
AUGER DRIVE AND COOLING DRUM

| <i>ITEM</i> | <i>PART NO.</i> | <i>QTY.</i> | <i>DESCRIPTION</i> |
|-------------|-----------------|-------------|-------------------------------------------------------------------------------|
| 22 | 32092.0002 | 2 | <i>Drum Assy, Cooling - WHI (Incl. items 23 & 24)</i> |
| | 32092.1003 | 2 | <i>Drum Assy, Cooling - BLK (Incl. items 23 & 24)</i> |
| | 32092.0004 | 2 | <i>Drum Assy, Cooling - WHI (Incl. items 23 & 24)(Salt Air Resistant)</i> |
| | 32092.0005 | 2 | <i>Drum Assy, Cooling - BLK (Incl. items 23 & 24)(Salt Air Resistant)</i> |
| | 01377.0000 | 8 | <i>Screw, Flat Head #8-32 x .75"</i> |
| 23 | 42175.0002 | 1 | <i>Mount Assembly, Cooling Drum - WHI</i> |
| | 42175.0003 | 1 | <i>Mount Assembly, Cooling Drum - BLK</i> |
| 24 | ----- | 1 | <i>Drum, Cooling (Not Available. Order item 22)</i> |
| 25 | ----- | - | <i>Temperature Sensor Assy (See ELECTRICAL AND OPERATING CONTROLS)</i> |
| 26 | 28027.0000 | 2 | <i>Support, Cooling Drum (For Shipping and Cooling Drum Adjustment)</i> |
| 27 | 28236.0000 | 2 | <i>Label, DO NOT LIFT HERE (For Shipping Only)</i> |
| 28 | M2548.1001 | - | <i>Lubricant, Krytox .50 oz (Not illustrated)</i> |

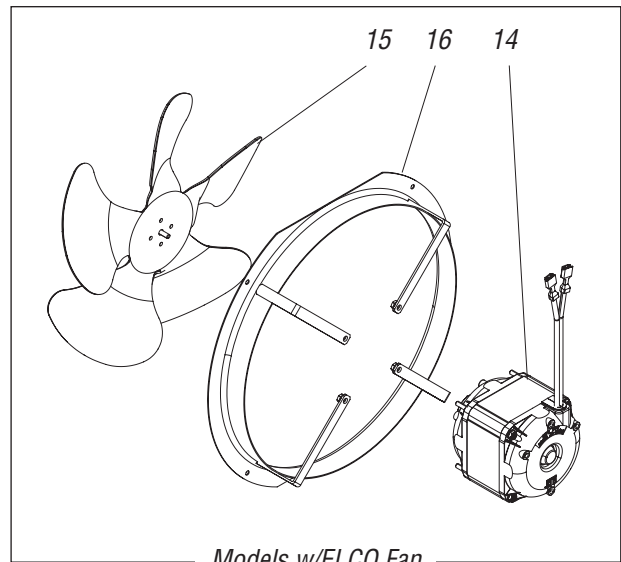


CONDENSER AND FAN MOUNTING

ULTRA - 2



Models w/MORRILL Fan



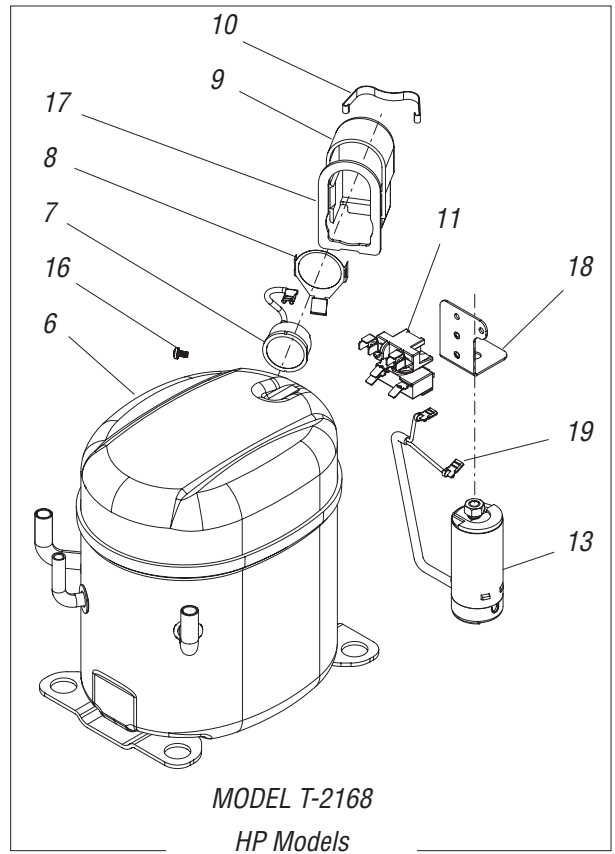
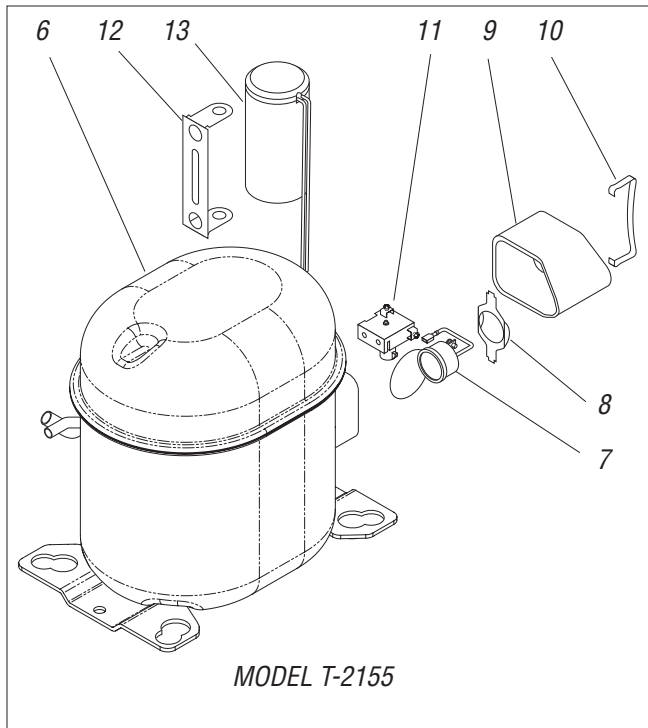
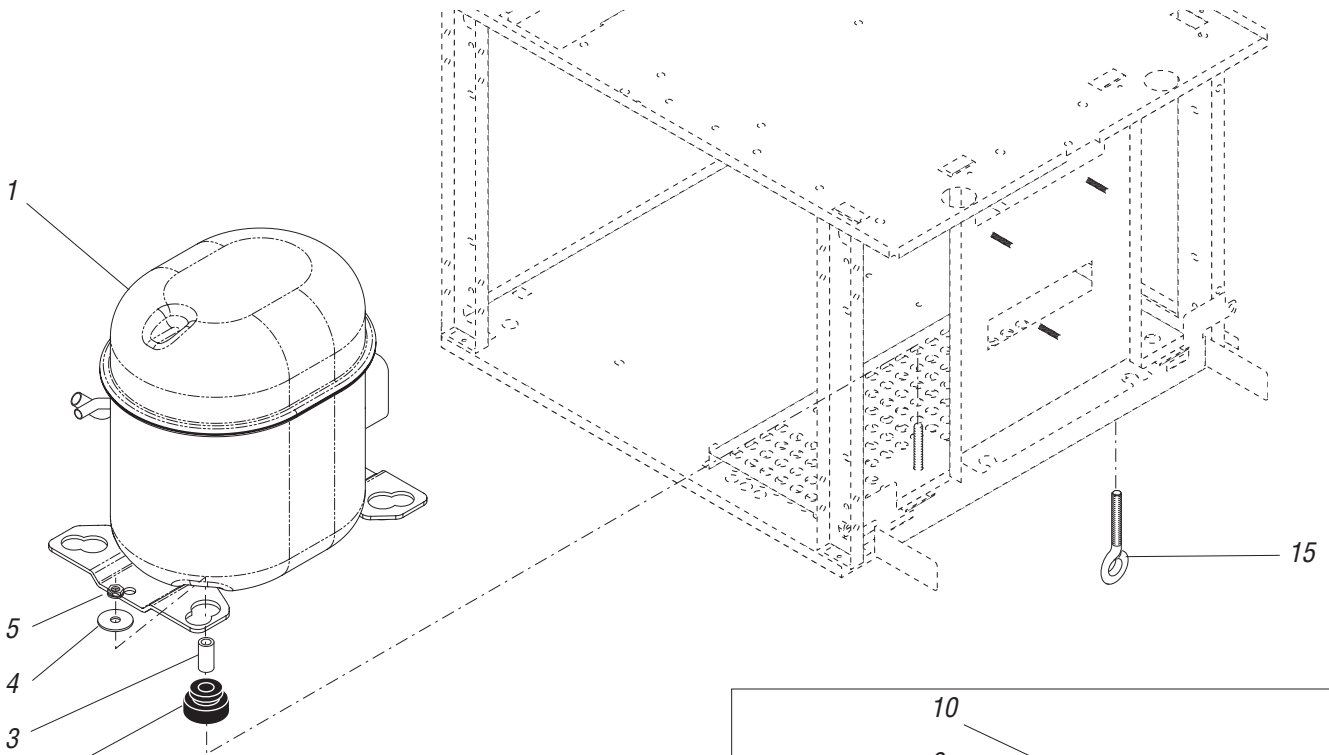
Models w/ELCO Fan

P2511

CONDENSER AND FAN MOUNTING

| ITEM | PART NO. | QTY. | DESCRIPTION |
|------|-------------|------|--------------------------------------------------------------------------|
| 1 | 28122.0000 | 1 | Filter, Air |
| 2 | 26791.0000 | 1 | Condenser Assy |
| | 26791.0001 | 1 | Condenser Assy, Coated (Salt Air Resistant) |
| | 02308.0000 | 4 | Screw, Pan Head Serrated #8-32 x .375" |
| 3 | 32084.0000 | 1 | Shroud, Condenser - Right Half |
| | 32084.0010 | 1 | Shroud, Condenser - Right Half (Salt Air Resistant) |
| | 32084.0006 | 1 | Shroud, Condenser - Right Half (Internal Autofill Ready) |
| | 32084.0005 | 1 | Shroud, Condenser - Left Half |
| | 32084.0009 | 1 | Shroud, Condenser - Left Half (Salt Air Resistant) |
| | 02332.0001 | 4 | Screw, Hex Head Crimptite #6 x .25" |
| | 02308.0000 | 4 | Screw, Pan Head Serrated #8-32 x .375" |
| 4 | 29084.0000 | 1 | Fan Assy, Condenser - 120V (Includes items 5 thru 9) |
| | 29084.0002 | 1 | Fan Assy, Condenser - 120V (Includes items 5 thru 9)(Salt Air Resistant) |
| | 29084.0001 | 1 | Fan Assy, Condenser - 230V (Includes items 5 thru 9) |
| | 02332.0002 | 3 | Screw, Hex Head - Thread Cutting #6 x .375" |
| 5 | 27257.0000 | 1 | Speed Nut .25"-20 |
| 6 | 29159.0000 | 1 | Blade, Condenser Fan - 230V HP |
| | 29159.0000 | 1 | Blade, Condenser Fan - 115V HP |
| | 27220.0000 | 1 | Blade, Condenser Fan - 115V |
| 7 | 27258.0000 | 1 | Silencer, Fan |
| 8 | 27221.1000 | 1 | Motor, Condenser Fan - 115V (Includes Leads and Terminals) |
| | 29160.1000 | 1 | Motor, Condenser Fan - 115V HP (Includes Leads and Terminals) |
| | 29160.1001 | 1 | Motor, Condenser Fan - 230V HP (Includes Leads and Terminals) |
| 9 | 27219.0000 | 1 | Shroud/Mount, Condenser Fan |
| | 27219.0001 | 1 | Shroud/Mount, Condenser Fan (Salt Air Resistant) |
| | 27243.0000 | 3 | Screw, Hex Head Thread Forming #8-32 x .437" |
| 10 | 36329.0002 | 3 | Gable Tie (Not Illustrated) |
| 11 | 38278.0003* | 1 | Edging 1.00" (Order item 13) |
| 12 | 38278.0016* | 1 | Edging 1.25" (Order item 13) |
| 13 | 38278.1002 | - | Edging 36.0" (Use as required) |
| 14 | ----- | 1 | Motor, Condenser Fan - 115V, 25W |
| | ----- | 1 | Motor, Condenser Fan - 115V, 34W |
| 15 | ----- | 1 | Blade, Condenser Fan, Plastic |
| | ----- | 1 | Blade, Condenser Fan, Metal |
| 16 | ----- | 1 | Shroud/Mount, Condenser Fan |

} Early Models. Order item 4

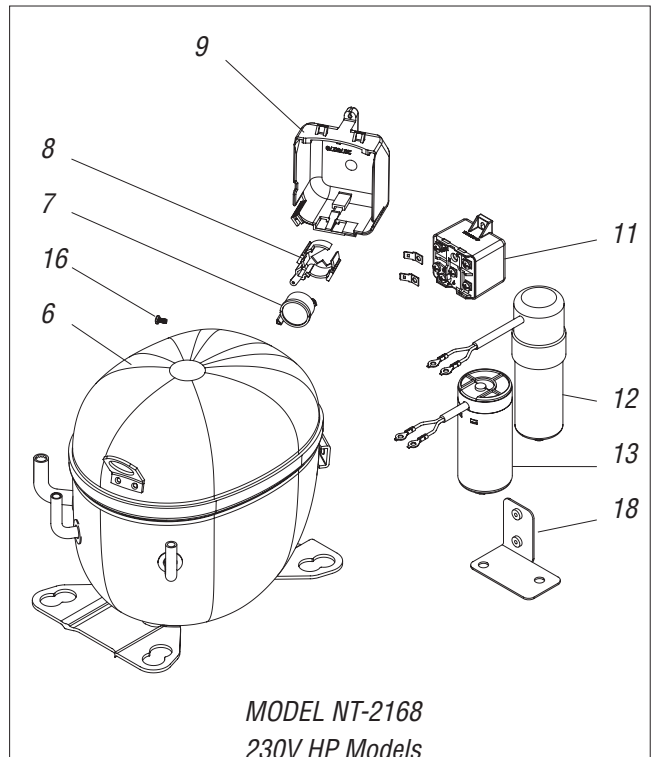
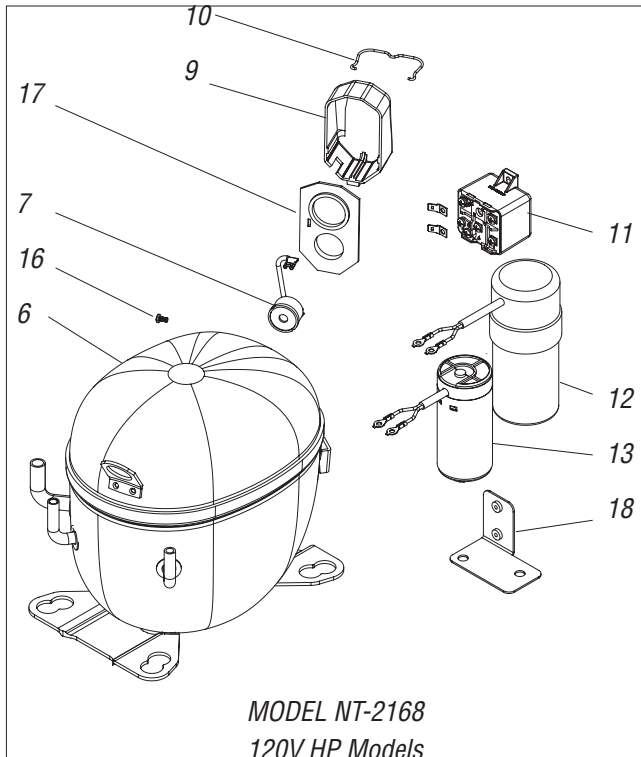
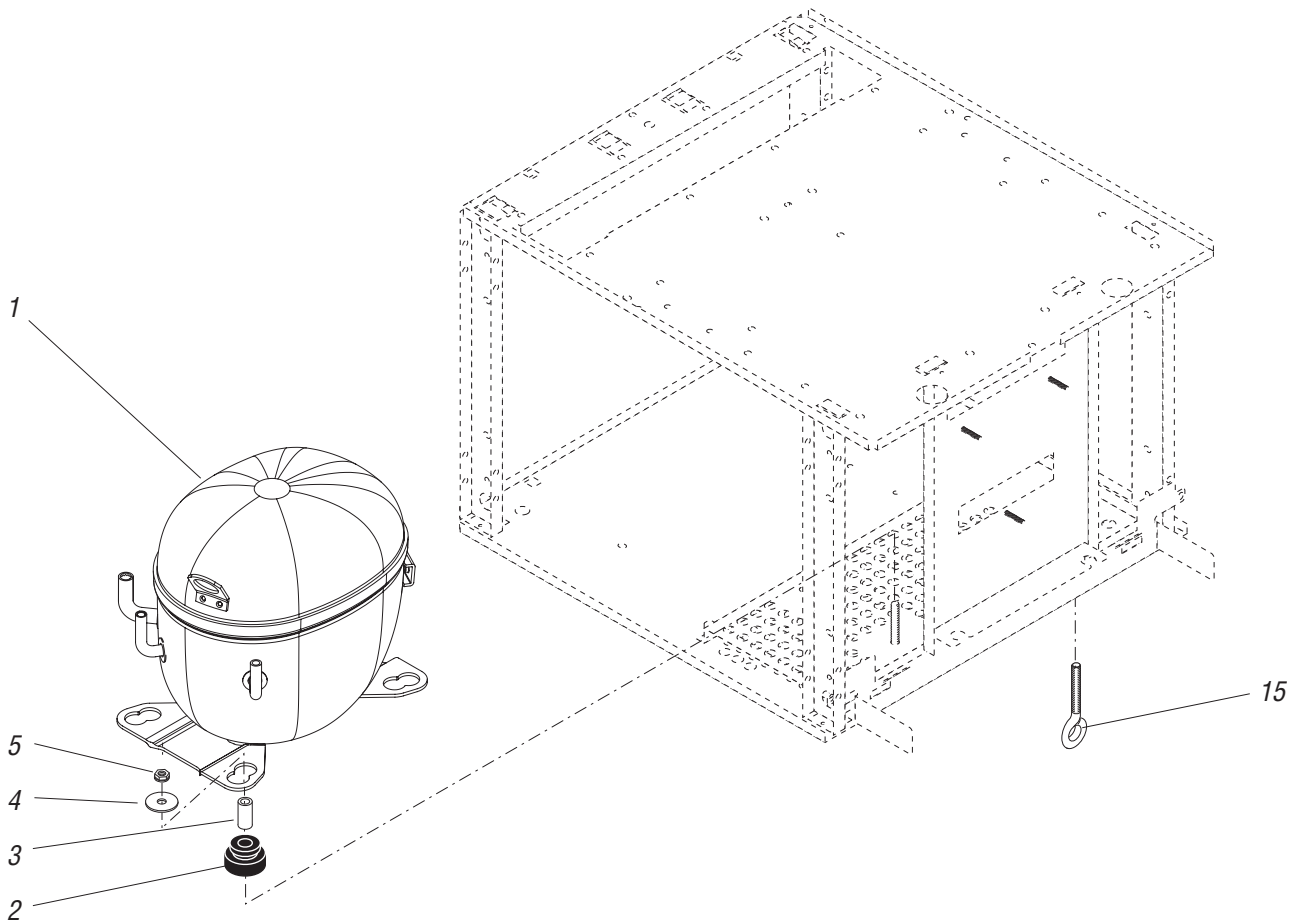


COMPRESSOR AND MOUNTING (EMBRACO)(Early Models)

| ITEM | PART NO. | QTY. | DESCRIPTION |
|------|----------|------|-------------|
|------|----------|------|-------------|

NOTE: Compressor part numbers are no longer available. Check with Bunn for substitute replacements.

| | | | |
|----|-------------|---|-----------------------------------------------------------------------------|
| 1 | ----- | 1 | Compressor Assy (Model T2155) 120V (No Longer Available) |
| | ----- | 1 | Compressor Assy, High Performance (Model T2168) 120V (No Longer Available) |
| | ----- | 1 | Compressor Assy, High Performance (Model T2168) 230V (No Longer Available) |
| 2 | 32797.0000 | 4 | Grommet, Compressor Mounting |
| 3 | 32798.0000* | 4 | Sleeve, Compressor Mounting |
| 4 | 34529.0000* | 4 | Washer, .281" I.D. x 1.0" O.D. |
| 5 | 23700.0000 | 4 | Nut, Hex Keps .25"-20 |
| 6 | ----- | 1 | Compressor (Not Available. Order item 1) |
| 7 | 34254.0002 | 1 | Overload Protector (Model T2155)(120V) |
| | 39136.0000 | 1 | Overload Protector (Model T2168)(230V) |
| | 39819.0000 | 1 | Overload Protector (Model T2168)(120V) |
| 8 | 34253.0000 | 1 | Retainer, Overload Protector (Model T2155, 120V & Model T2168, 230V) |
| | 39821.0000 | 1 | Retainer, Overload Protector (Model T2168)(120V) |
| 9 | 34252.0001 | 1 | Cover, Compressor Terminal (Model T2155, 120V & Model T2168, 230V) |
| | 39818.0000 | 1 | Cover, Compressor Terminal (Model T2168)(120V) |
| 10 | 34251.0000 | 1 | Retainer, Compressor Terminal Cover (Model T2155, 120V & Model T2168, 230V) |
| | 39820.0000 | 1 | Retainer, Compressor Terminal Cover (Model T2168)(120V) |
| 11 | 34255.0002 | 1 | Relay, Compressor Start (Model T2155)(120V) |
| | 39137.0000 | 1 | Relay, Compressor Start (Model T2168)(230V) |
| | 39833.1000 | 1 | Relay, Compressor Start (Model T2168)(120V) |
| 12 | 32799.0002 | 1 | Bracket, Capacitor (Model T2155, 120V & Model T2168, 230V) |
| 13 | 32795.0002 | 1 | Capacitor, Run (Model T2155)(120V) |
| | 39152.0000 | 1 | Capacitor, Run (Model T2168)(230V) |
| | 39804.0000 | 1 | Capacitor, Run (Model T2168)(120V) |
| 14 | 28651.0000 | 1 | Label - R404A (Not illustrated) |
| 15 | ----- | 1 | Eyebolt (Shipping Only) |
| | ----- | 1 | Tag, Eyebolt Shipping Notice (Not illustrated) |
| 16 | 39142.0000 | 1 | Screw M4 x 7mm |
| 17 | 39885.0000 | 1 | Gasket (Model T2168)(120V) |
| 18 | 39788.0000 | 1 | Bracket (Model T2168)(120V) |
| | 02335.0001 | 1 | Screw, Hex #8 x .38" (Relay) |
| | 02308.0000 | 2 | Screw, Pan Head Serrated #8-32 x .375" (Bracket) |
| 19 | 39789.0000 | 1 | Wiring Harness, Compressor (Model T2168)(120V) |
| | 33052.0000 | 1 | Screw, Flat Head #10-32 x .50" |
| | 00971.0000 | 1 | Nut, Keps #10-32 |

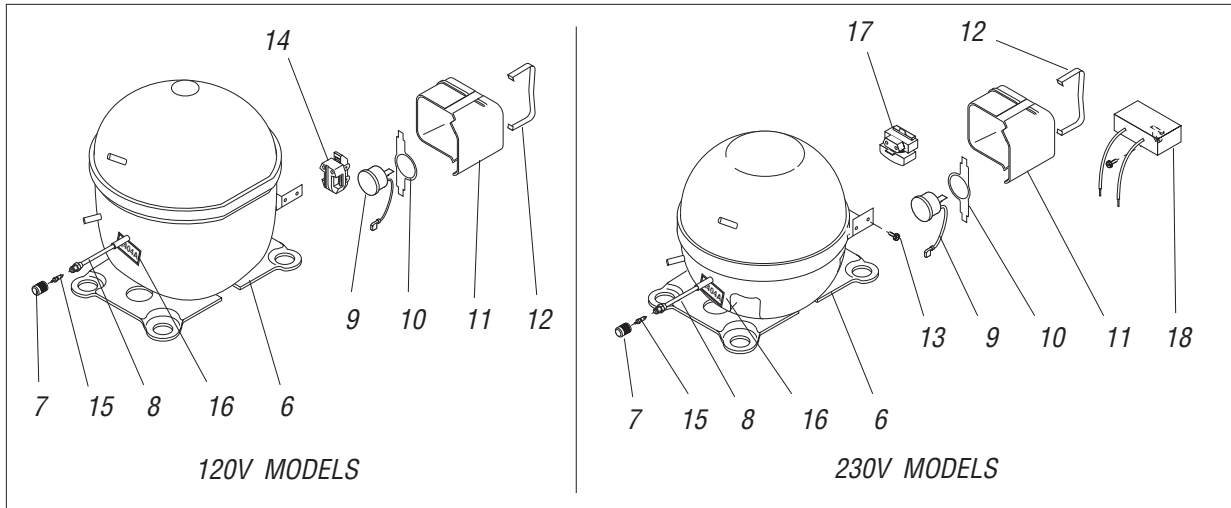
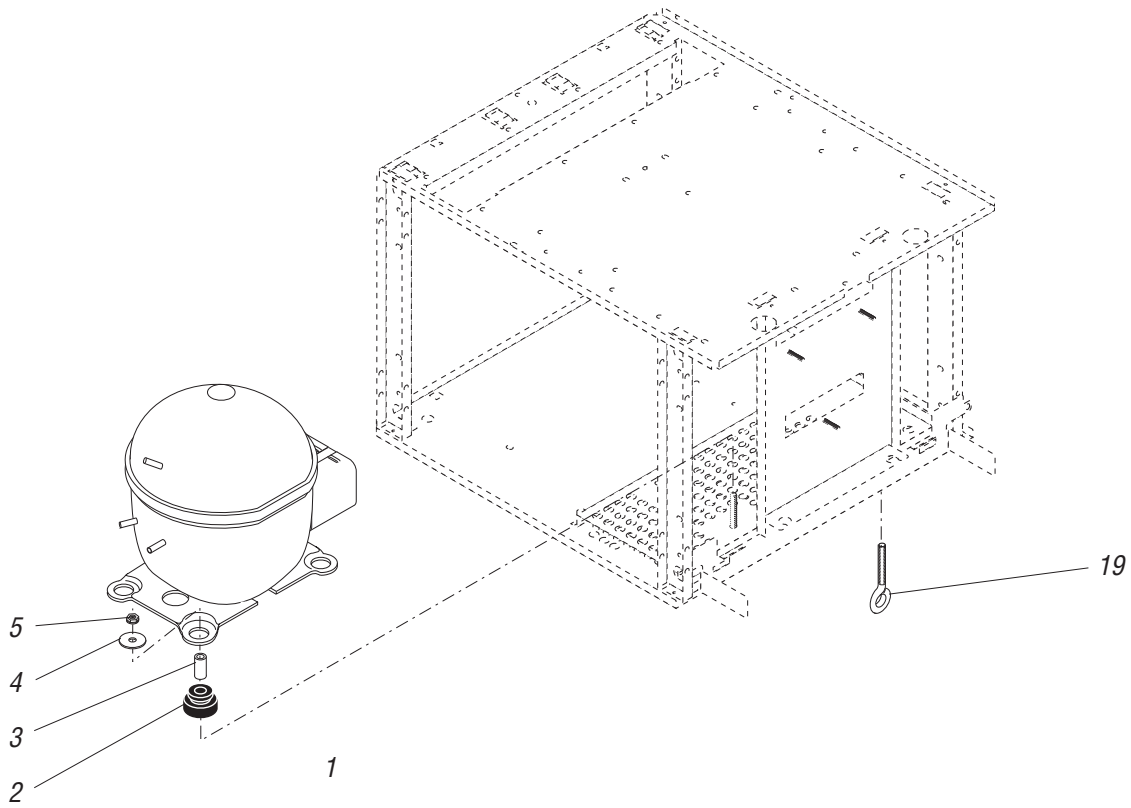


COMPRESSOR AND MOUNTING (EMBRACO)(Late Models)

| ITEM | PART NO. | QTY. | DESCRIPTION |
|------|----------|------|-------------|
|------|----------|------|-------------|

NOTE: Check compressor data plate for Model Number prior to ordering replacement parts.

| | | | |
|----|-------------|---|------------------------------------------------------------------------------------|
| 1 | 35980.1004 | 1 | Compressor Assy (Model NT2168) 120V (Incl. items 2, 3, 6 - 18) |
| | 35980.0008 | 1 | Compressor Assy (Model NT2168) 120V (Incl. items 2, 3, 6 - 18)(Salt Air Resistant) |
| | 35980.1005 | 1 | Compressor Assy (Model NT2168) 230V (Incl. items 2, 3, 6 - 18) |
| 2 | 32797.0000 | 4 | Grommet, Compressor Mounting |
| 3 | 32798.0000* | 4 | Sleeve, Compressor Mounting |
| 4 | 34529.0000* | 4 | Washer, .281" I.D. x 1.0" O.D. |
| 5 | 23700.0000 | 4 | Nut, Hex Keps .25"-20 |
| 6 | ----- | 1 | Compressor (Not Available. Order item 1) |
| 7 | 39819.0004 | 1 | Overload Protector (Model NT2168)(120V) |
| | 39819.0005 | 1 | Overload Protector (Model NT2168)(230V) |
| 8 | 38821.0005 | 1 | Retainer, Overload Protector (Model NT2168)(230V) |
| 9 | 39818.0001 | 1 | Cover, Compressor Terminal (Model NT2168)(120V) |
| | 39818.0002 | 1 | Cover, Compressor Terminal (Model NT2168)(230V) |
| 10 | 39820.0001 | 1 | Retainer, Compressor Terminal Cover (Model NT2168)(120V) |
| 11 | 39833.0004 | 1 | Relay, Compressor Start (Model NT2168)(120V) |
| | 39833.0005 | 1 | Relay, Compressor Start (Model NT2168)(230V) |
| 12 | 44820.0004 | 1 | Capacitor, Run (Model NT2168)(120V) |
| | 44820.0005 | 1 | Capacitor, Run (Model NT2168)(230V) |
| 13 | 39804.0004 | 1 | Capacitor, Start (Model NT2168)(120V) |
| | 39804.0005 | 1 | Capacitor, Start (Model NT2168)(230V) |
| 14 | 28651.0000 | 1 | Label - R404A (Not illustrated) |
| 15 | ----- | 1 | Eyebolt (Shipping Only) |
| | ----- | 1 | Tag, Eyebolt Shipping Notice (Not illustrated) |
| 16 | 45282.0000 | 1 | Screw M3.5 x 7mm (120V) |
| 17 | 39885.0001 | 1 | Gasket (Model NT2168)(120V) |
| 18 | 39788.0001 | 1 | Bracket (Model NT2168)(120V & 230V) |
| | 39788.0004 | 1 | Bracket (Model NT2168)(120V & 230V) (Salt Air Resistant) |
| | 02308.0000 | 2 | Screw, Pan Head Serrated #8-32 x .375" |

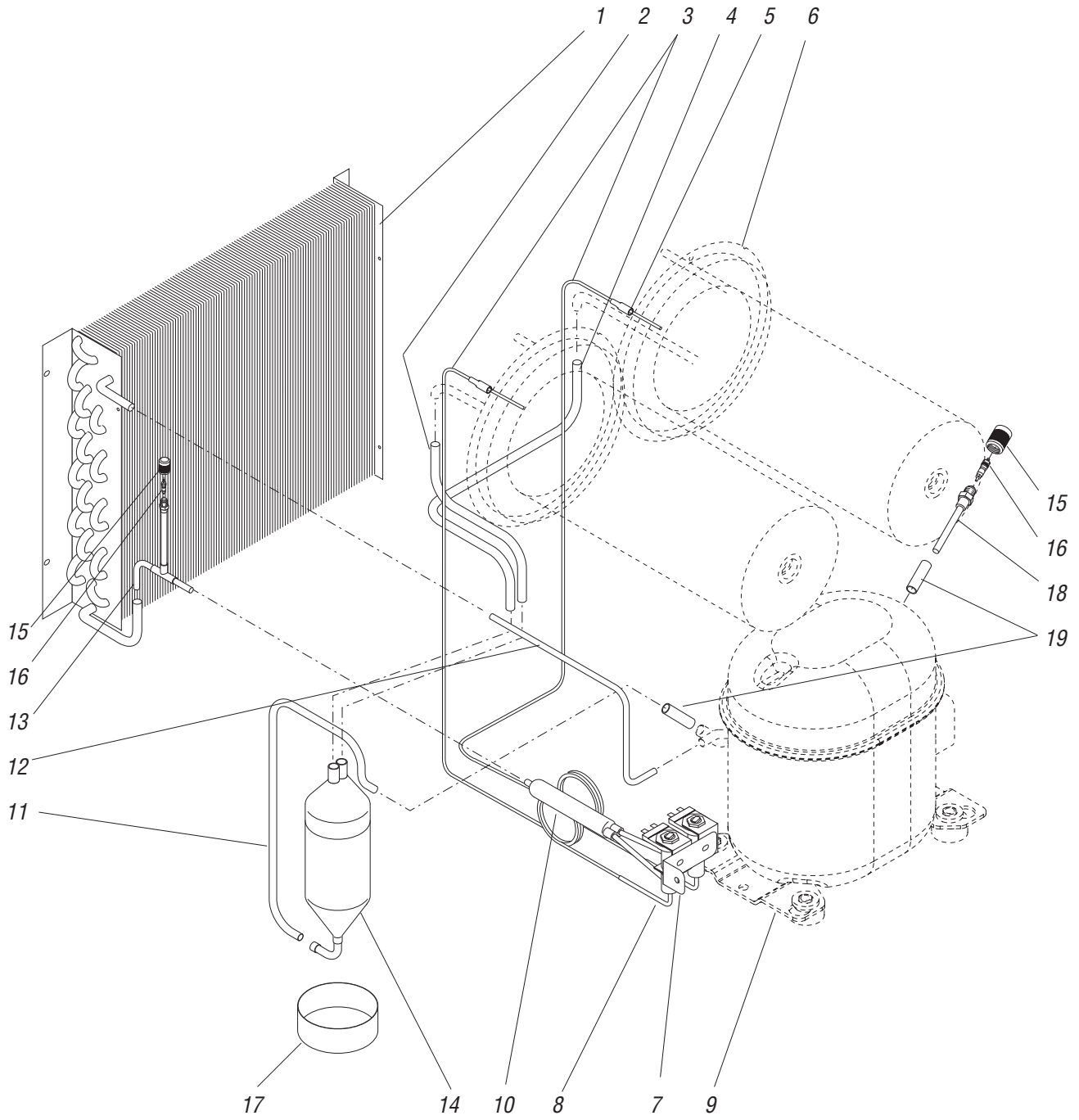


COMPRESSOR AND MOUNTING (AMERICOLD)

| ITEM | PART NO. | QTY. | DESCRIPTION |
|------|----------|------|-------------|
|------|----------|------|-------------|

NOTE: Compressors and related parts are no longer available. No substitutes are available.

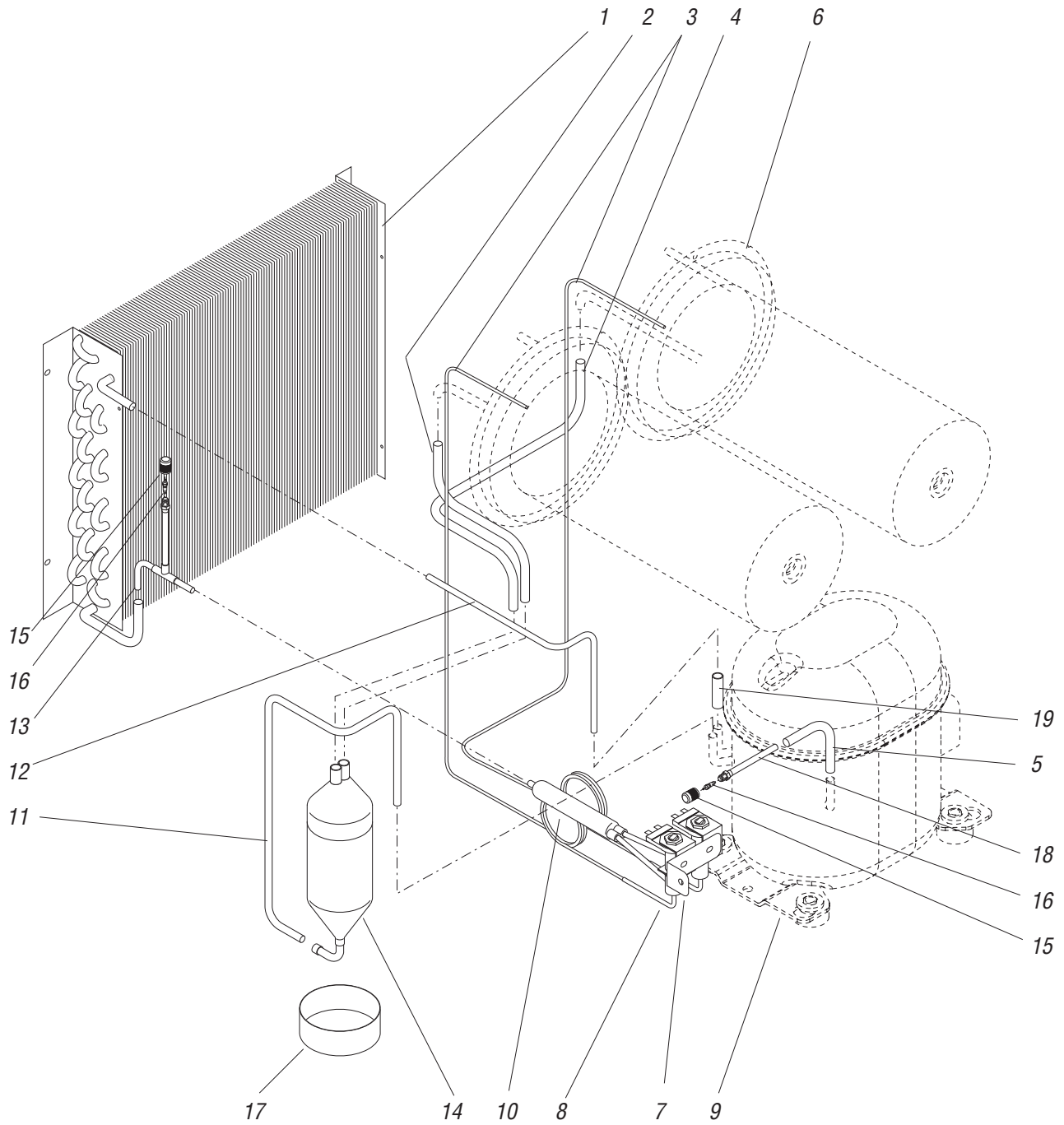
| | | | |
|----|-------------|---|--------------------------------------------------------------------------|
| 1 | ----- | 1 | Compressor Assy 120V (No Longer Available) |
| | ----- | 1 | Compressor Assy 230V (No Longer Available) |
| 2 | ----- | 4 | Grommet, Compressor Mounting |
| 3 | ----- | 4 | Sleeve, Compressor Mounting |
| | | | } Order item 20 |
| 4 | 34529.0000* | 4 | Washer, .281" I.D. x 1.0" O.D. |
| 5 | 23700.0000 | 4 | Nut, Hex Keps .25"-20 |
| 6 | ----- | 1 | Compressor (Not Available. Order item 1) |
| 7 | 27641.0000 | 1 | Cap, Access Valve (Procure Locally) |
| 8 | 27551.0000 | 1 | Valve Assy, Access (Includes items 7 & 15) (Requires brazing to Install) |
| 9 | 27407.0000 | 1 | Overload Protector (120V) |
| | 27407.0001 | 1 | Overload Protector (230V) |
| 10 | 27403.0000 | 1 | Retainer, Overload Protector (120V) |
| 11 | 27408.0000 | 1 | Cover, Compressor Terminal |
| 12 | 32095.0000 | 1 | Retainer, Compressor Terminal Cover (120V) |
| | 27404.0000 | 1 | Retainer, Compressor Terminal Cover (230V) |
| 13 | 02335.0001 | 1 | Screw, Hex Head Crimptite #8 x .375" |
| 14 | 32094.0000 | 1 | Relay, Compressor Start (120V) |
| 15 | 27642.0000 | 1 | Valve Core, .25" |
| 16 | 28651.0000 | 1 | Label - R404A |
| 17 | 27406.0002 | 1 | Starter, Motor (230V) |
| 18 | 27405.0001 | 1 | Capacitor, Run (230V) |
| | 02332.0002 | | Screw, Hex Crimptite #6 x .375" |
| 19 | ----- | 1 | Eyebolt (Shipping Only) |
| | ----- | 1 | Tag, Eyebolt Shipping Notice (Not illustrated) |
| 20 | 27613.0000 | 1 | Kit, Compressor Mounting (Includes 4 each of item 2 & 3) |



SOLENOID AND COOLANT PIPING (EMBRACO-100V & 120V)

| ITEM | PART NO. | QTY. | DESCRIPTION |
|------|-------------|------|---------------------------------------------------------------------------------|
| 1 | ----- | 1 | Condenser (See Condenser and Fan Mounting) |
| 2 | 32088.0000 | 1 | Tube .375" O.D. Accumulator to Left Cooling Drum (Requires brazing to install) |
| 3 | 27607.1000 | 1 | Tube .093" O.D. Solenoid to Left Cooling Drum (Requires brazing to install) |
| | 27607.1001 | 1 | Tube .093" O.D. Solenoid to Right Cooling Drum (Requires brazing to install) |
| 4 | 32087.0000 | 1 | Tube .375" O.D. Accumulator to Right Cooling Drum (Requires brazing to install) |
| 5 | 28925.0000 | 2 | Adapter, Reducing (Requires brazing to install)(Early Models) |
| 6 | ----- | 2 | Cooling Drum (See Auger Drive and Cooling Drum) |
| 7 | 32113.0000 | 1 | Bracket, Solenoid Mounting |
| | 32113.0003 | 1 | Bracket, Solenoid Mounting (Salt Air Resistant) |
| | 02308.0000 | 1 | Screw, Pan Head Serrated #8-32 x .375" |
| 8 | 32133.0000 | 2 | Solenoid Assy (120V) |
| | 32133.0002 | 2 | Solenoid Assy (100V) |
| | 02332.0001 | 2 | Screw, Crimptite #6 x .25" |
| 9 | ----- | 1 | Compressor (See Compressor and Mounting) |
| 10 | 32256.0000 | 1 | Dryer Assembly (Requires brazing to install) |
| 11 | 34257.0000 | 1 | Tube .312" O.D. Accumulator to Compressor (Requires brazing to install) |
| 12 | 34258.0000 | 1 | Tube .250" O.D. Condenser to Compressor (Requires brazing to install) |
| 13 | 34211.0000* | 1 | Tube, Condenser to Dryer (Includes items 15 & 16) (Requires brazing to install) |
| 14 | 32257.0000 | 1 | Accumulator, Suction (Requires brazing to install) |
| 15 | 27641.0000 | 2 | Cap, Valve Access |
| 16 | 27642.0000 | 2 | Valve Core |
| 17 | 27411.0000 | 1 | Cup, Condensate |
| 18 | 28645.0000 | 1 | Valve, Access (Includes items 15 & 16) (Requires brazing to install) |
| 19 | 34256.0000 | 2 | Tube, Spacer (Requires brazing to install) |
| 20 | M2316.1000 | - | Insulation, Tube .375" I.D. x 6 ft LG (As Required) |
| 21 | 00617.0000 | 8 | Tie, BLK Nylon 3.90" LG (As Required) |
| 22 | 36329.0002 | 7 | Cable Tie |

} Not Illustrated



SOLENOID AND COOLANT PIPING (EMBRACO-230V)

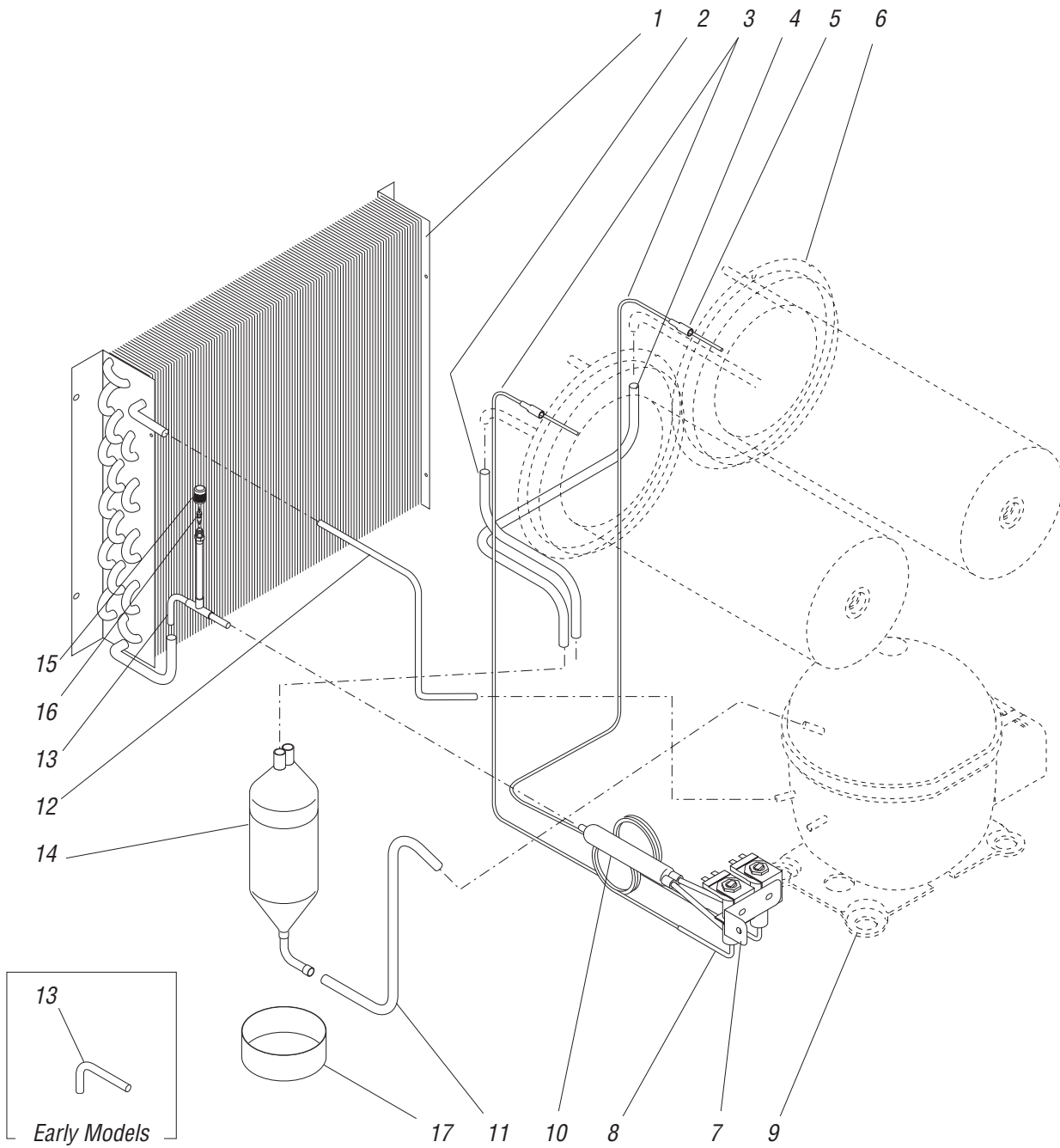
| ITEM | PART NO. | QTY. | DESCRIPTION |
|------|-------------|------|---------------------------------------------------------------------------------|
| 1 | ----- | 1 | Condenser (See Condenser and Fan Mounting) |
| 2 | 32088.0000 | 1 | Tube .375" O.D. Accumulator to Left Cooling Drum (Requires brazing to install) |
| 3 | 27607.1000 | 1 | Tube .093" O.D. Solenoid to Left Cooling Drum (Requires brazing to install) |
| | 27607.1001 | 1 | Tube .093" O.D. Solenoid to Right Cooling Drum (Requires brazing to install) |
| 4 | 32087.0000 | 1 | Tube .375" O.D. Accumulator to Right Cooling Drum (Requires brazing to install) |
| 5 | 44053.0000 | 2 | Tube, Access Port (Requires brazing to install) |
| 6 | ----- | 2 | Cooling Drum (See Auger Drive and Cooling Drum) |
| 7 | 32113.0000 | 1 | Bracket, Solenoid Mounting |
| | 02308.0000 | 1 | Screw, Pan Head Serrated #8-32 x .375" |
| 8 | 32133.0001 | 2 | Solenoid Assy (230V) |
| | 02332.0001 | 2 | Screw, Crimptite #6 x .25" |
| 9 | ----- | 1 | Compressor (See Compressor and Mounting) |
| 10 | 32256.0000 | 1 | Dryer Assembly (Requires brazing to install) |
| 11 | 36198.0000 | 1 | Tube .312" O.D. Accumulator to Compressor (Requires brazing to install) |
| 12 | 36196.0000 | 1 | Tube .250" O.D. Condenser to Compressor (Requires brazing to install) |
| 13 | 34211.0000* | 1 | Tube, Condenser to Dryer (Includes items 15 & 16) (Requires brazing to install) |
| 14 | 32257.0000 | 1 | Accumulator, Suction (Requires brazing to install) |
| 15 | 27641.0000 | 2 | Cap, Valve Access |
| 16 | 27642.0000 | 2 | Valve Core |
| 17 | 27411.0000 | 1 | Cup, Condensate |
| 18 | 28645.0000 | 1 | Valve, Access (Includes items 15 & 16) (Requires brazing to install) |
| 19 | 34256.0000 | 1 | Tube, Spacer (Requires brazing to install) |
| 20 | M2316.1000 | - | Insulation, Tube .375" I.D. x 6 ft LG (As Required) |
| 21 | 00617.0000 | 8 | Tie, BLK Nylon 3.90" LG (As Required) |
| 22 | 36329.0002 | 7 | Cable Tie |

} Not Illustrated



SOLENOID AND COOLANT PIPING (AMERICOLD)

ULTRA - 2



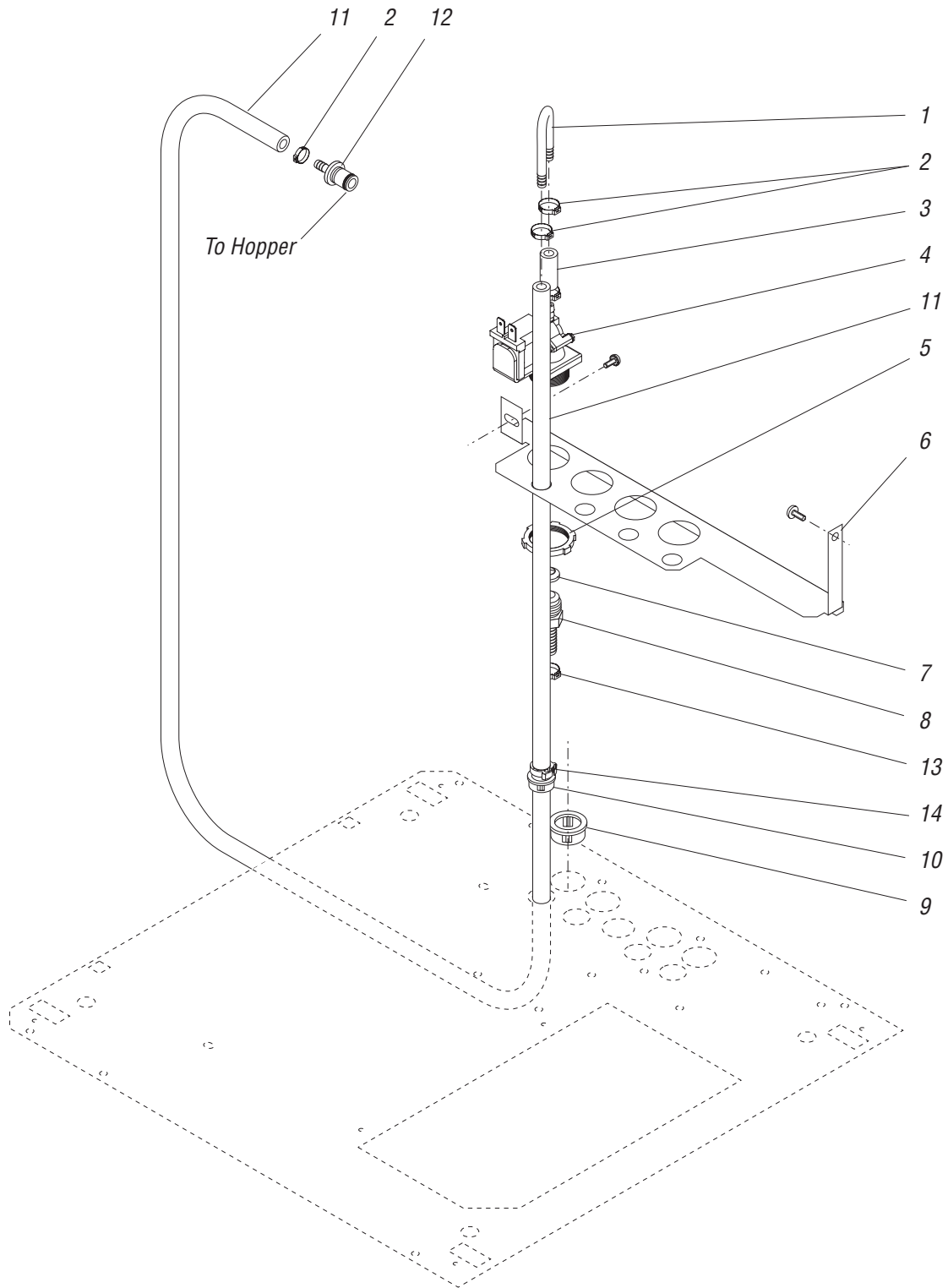
P2513

SOLENOID AND COOLANT PIPING (AMERICOLD)

ITEM **PART NO.** **QTY.** **DESCRIPTION**

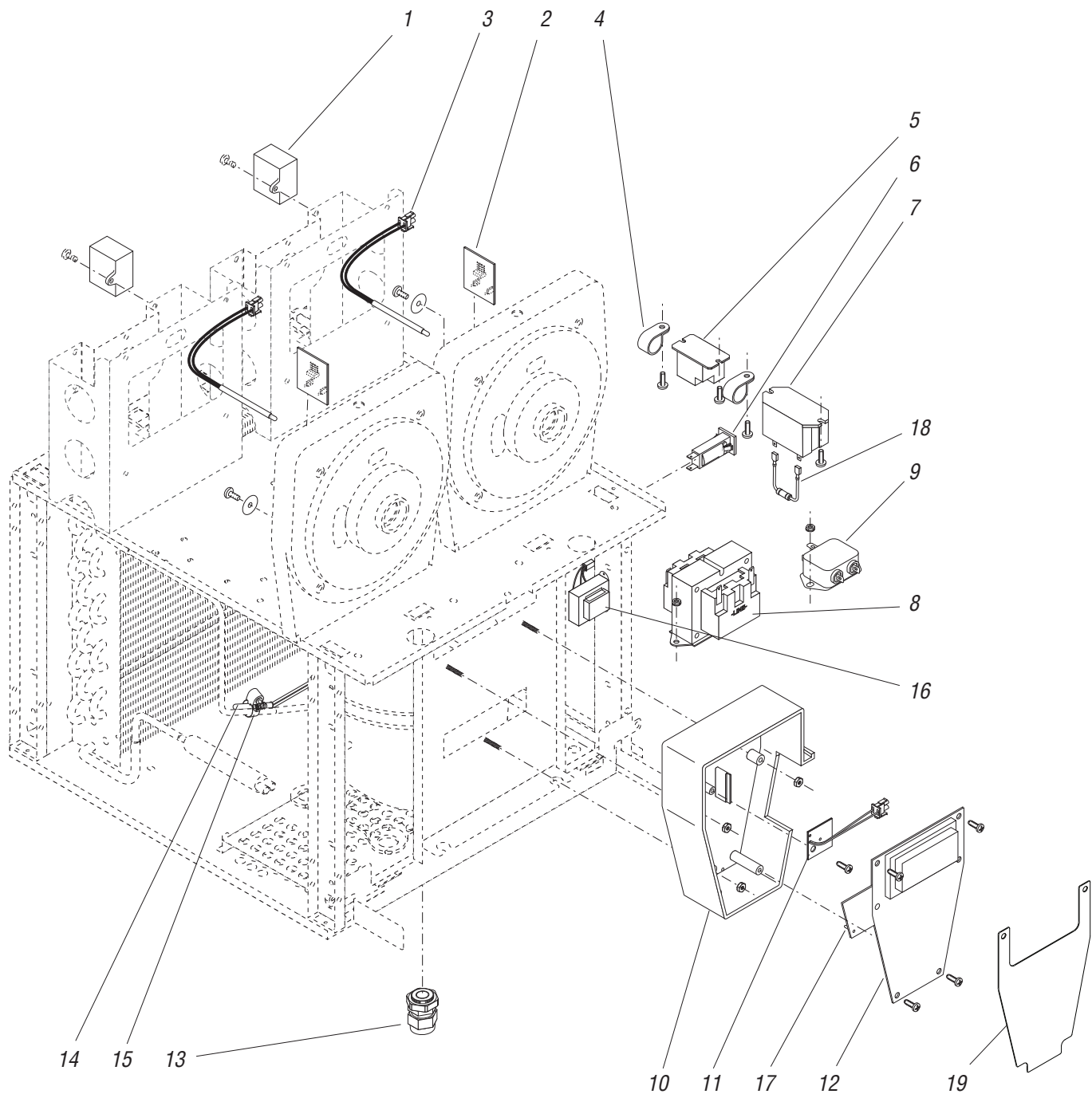
NOTE: *Compressors and related parts are no longer available. No substitutes are available.*

| | | | | |
|----|-------------|---|--------------------------------------------------------------------------------------------------|-------------------|
| 1 | ----- | 1 | Condenser (See Condenser and Fan Mounting) | |
| 2 | 32088.0000 | 1 | Tube .375" O.D. Accumulator to Left Cooling Drum (Requires brazing to install) | |
| 3 | 27607.1000 | 1 | Tube .093" O.D. Solenoid to Left Cooling Drum (Requires brazing to install) | |
| | 27607.1001 | 1 | Tube .093" O.D. Solenoid to Right Cooling Drum (Requires brazing to install) | |
| 4 | 32087.0000 | 1 | Tube .375" O.D. Accumulator to Right Cooling Drum (Requires brazing to install) | |
| 5 | 28925.0000 | 2 | Adapter, Reducing (Requires brazing to install)(Early Models) | |
| 6 | ----- | 2 | Cooling Drum (See Auger Drive and Cooling Drum) | |
| 7 | 32113.0000 | 1 | Bracket, Solenoid Mounting | |
| | 02308.0000 | 1 | Screw, Pan Head Serrated #8-32 x .375" | |
| 8 | 32133.0000 | 2 | Solenoid Assy (120V) | |
| | 32133.0001 | 2 | Solenoid Assy (230V) | |
| | 02332.0001 | 2 | Screw, Crimptite #6 x .25" | |
| 9 | ----- | 1 | Compressor (See Compressor and Mounting) | |
| 10 | 32256.0000 | 1 | Dryer Assembly (Requires brazing to install) | |
| 11 | 32086.0001 | 1 | Tube .312" O.D. Accumulator to Compressor (Requires brazing to install) | |
| 12 | 32085.0001 | 1 | Tube .250" O.D. Condenser to Compressor (Requires brazing to install) | |
| 13 | ----- | 1 | Tube, Condenser to Dryer (Early Models) (Requires brazing to install) | |
| | 34211.0000* | 1 | Tube, Condenser to Dryer (Late Models) (Includes items 15 & 16) (Requires brazing to install) | |
| 14 | 32257.0000 | 1 | Accumulator, Suction (Requires brazing to install) | |
| 15 | 27641.0000 | 1 | Cap, Valve Access | |
| 16 | 27642.0000 | 1 | Valve Core | |
| 17 | 27411.0000 | 1 | Cup, Condensate | |
| 18 | M2316.1000 | - | Insulation, Tube .375" I.D. x 6 ft LG (As Required) | } Not Illustrated |
| 19 | 00617.0000 | 8 | Tie, BLK Nylon 3.90" LG (As Required) | |
| 20 | 36329.0002 | 7 | Cable Tie | |



INTERNAL LIQUID AUTOFILL KIT (Optional)

| ITEM | PART NO. | QTY. | DESCRIPTION |
|-------------------------------------------------------------------------------------|-------------|------|----------------------------------------------------|
| <i>Quantities listed below are for one solenoid only. Two to four may required.</i> | | | |
| 1 | 37931.0000 | 1 | Tube |
| 2 | 21275.0006 | 4 | Clamp .41 - .50" |
| 3 | 32745.0028* | 1 | Hose .25" ID x 1.0" |
| 4 | 37933.0000 | 1 | Solenoid, Syrup Valve 120V |
| | 37933.0001 | 1 | Solenoid, Syrup Valve 230V |
| | 37933.0002 | 1 | Solenoid, Syrup Valve 100V |
| 5 | 37958.0000 | 1 | Locknut |
| 6 | 37878.0000 | 1 | Bracket, Autofill |
| | 01311.0001 | 1 | Screw, Truss Head #8-32 x .25" Locking |
| | 02332.0001 | 1 | Screw, Hex Head #6 x .25" |
| 7 | 33149.0000 | 1 | Gasket |
| 8 | 35174.0003 | 1 | Fitting .375" Barb x .375" Flare |
| 9 | 01663.0000 | 1 | Bushing, Snap |
| 10 | 07070.0000 | 1 | Bushing, Snap |
| 11 | 32745.0027* | 1 | Hose .25" ID x 55.0" |
| 12 | 38021.0000 | 1 | Coupling .25" Barb |
| | 42921.0000 | 1 | Coupling .38" Barb (For Models using .38" ID hose) |
| 13 | 21275.0003 | 1 | Clamp .57 - .70" |
| 14 | 12422.0011 | 1 | Clamp .40-.45" ID |



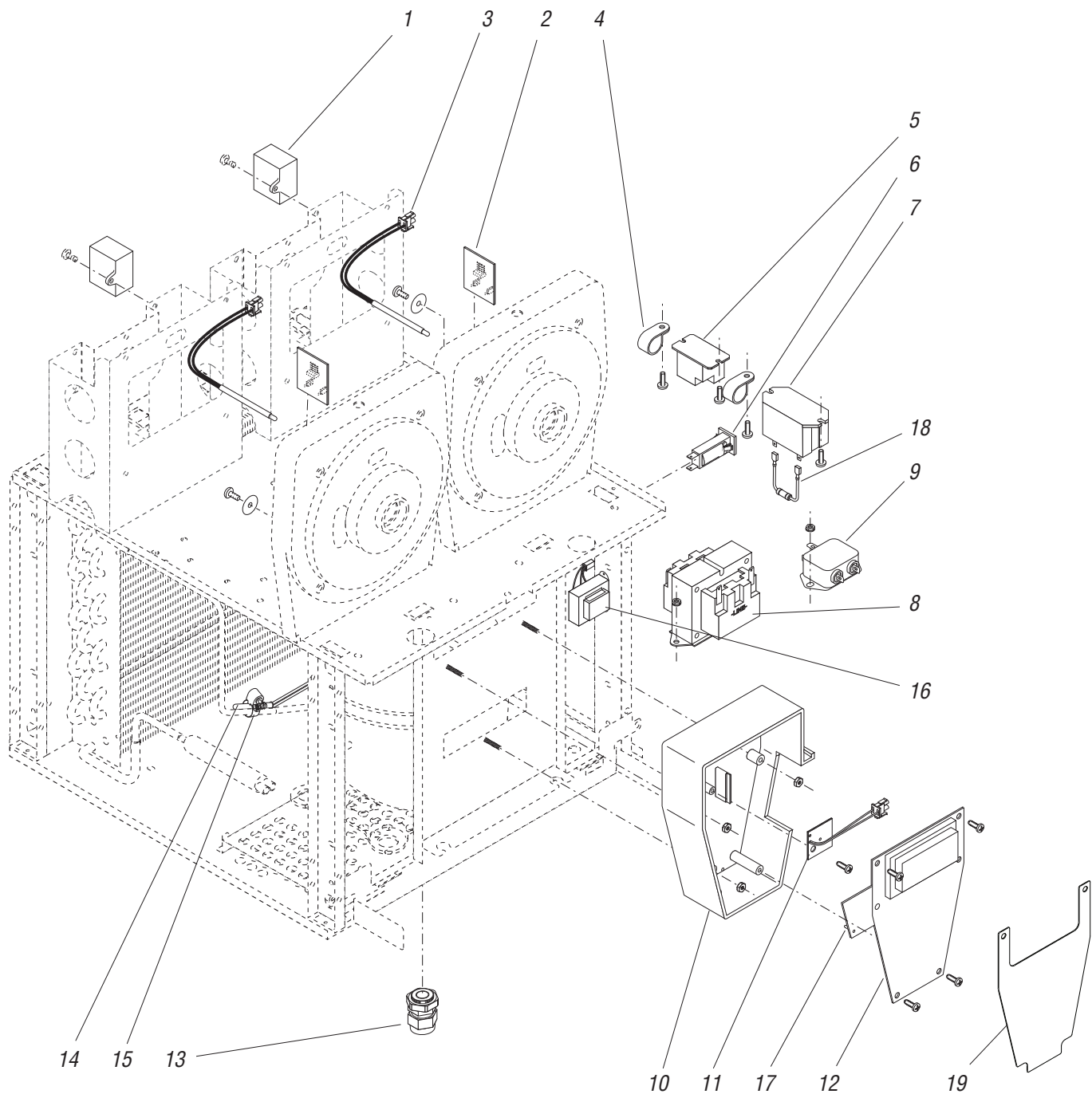
ELECTRICAL AND OPERATING CONTROLS

| ITEM | PART NO. | QTY. | DESCRIPTION |
|------|------------|------|---------------------------------------------------------------|
| 1 | 27178.0000 | 2 | Capacitor, Auger Motor 370 VAC (120V) |
| | 27178.0001 | 2 | Capacitor, Auger Motor 500 VAC (230V) |
| 2 | 38708.1000 | 2 | Circuit Board, Torque Sensor (120/230V) |
| | 02308.0000 | 2 | Screw, Pan Head Serrated #8-32 x .375" |
| | 02360.0000 | 2 | Washer, .188" I.D. x .75" O.D. |
| 3 | 27246.1000 | 2 | Temperature Sensor (Includes Connector) |
| 4 | 00604.0000 | 2 | Clip |
| | 01317.0003 | 2 | Screw, Truss Head Locking #8-32 x .375" |
| 5 | 32104.0000 | 1 | Relay, Lighting |
| | 01382.0000 | 2 | Screw, Truss Head #6-32 x .38" |
| 6 | 27181.0000 | 1 | Circuit Breaker, 5 amp |
| 7 | 37711.0000 | 1 | Relay, 120V (ULTRA-2) |
| | 37711.0001 | 1 | Relay, 230V (ULTRA-2A) |
| | 02308.0000 | 2 | Screw, Pan Head Serrated #8-32 x .375" |
| 8 | 27644.1002 | 1 | Transformer, 120V 60 Hz |
| | 27644.1004 | 1 | Transformer, 230V 50/60 Hz |
| | 27644.1005 | 1 | Transformer, 115V (Spanish Models) |
| | 00970.0000 | 2 | Nut, Keps #8-32 |
| 9 | 29446.0006 | 1 | EMI Filter (ULTRA-2A only) |
| | 00970.0000 | 2 | Nut, Keps #8-32 |
| 10 | 32121.0000 | 1 | Box, Electronic Control |
| | 00973.0000 | 3 | Nut, Keps #6-32 |
| 11 | 32097.1001 | 1 | Memory Clock Board |
| | 24544.0000 | 1 | Screw, Pan Head #8-18 |
| | | | DISCONTINUED |
| | | | Early Models. Not required with |
| | | | 44039.#### Circuit Boards |
| 12 | 44039.1000 | 1 | Circuit Board Assy, Bilingual, Main 120V |
| | 44039.1008 | 1 | Circuit Board Assy, Bilingual, Main 230V |
| | 24544.0000 | 4 | Screw, Pan Head #8-18 |
| 13 | 05746.1000 | 1 | Bushing, Strain Relief |
| 14 | 32269.0000 | 1 | Probe, Thermister |
| 15 | 29421.0001 | 1 | Clamp, Worm Drive |
| 16 | 28860.0003 | 1 | Transformer, 230V (Early Models) |
| | 02308.0000 | 2 | Screw, Pan Head Serrated #8-32 x .375" |
| | 00970.0000 | 2 | Nut, Keps #8-32 |
| 17 | 38983.1001 | 1 | Circuit Board, Autofill (Models with LAF & CF Refill Systems) |
| 18 | 40770.0000 | 1 | Resistor (230V) |
| 19 | 52940.0000 | 1 | Shield |

(Continued)



(Continued)



ELECTRICAL AND OPERATING CONTROLS

| ITEM | PART NO. | QTY. | DESCRIPTION |
|-------------------------------------------------|------------|------|----------------------------------------------------------------------------------------|
| The following items are not illustrated: | | | |
| 20 | 32263.0000 | 1 | Harness, Main (120V) |
| | 32263.0001 | 1 | Harness, Main (230V) |
| | 32263.0006 | 1 | Harness, Main (Autofill Ready Models with NT2168 Compressor) |
| | 32263.0007 | 1 | Harness, Main (Autofill Ready Models with NT2168 Compressor)(Salt Air Resistant) |
| | 00970.0000 | 1 | Nut, Keps #8-32 (Grounding) |
| 21 | 32163.0000 | 1 | Harness, Membrane Switch to Electronic Control |
| | 32163.0001 | 1 | Harness, Membrane Switch to Electronic Control (Salt Air Resistant) |
| 22 | 20630.0009 | 1 | Power Cord 120V |
| | 38074.0028 | 1 | Power Cord 230V |
| | 42749.0001 | 1 | Power Cord 230V (KETI units) |
| 23 | 37962.0000 | 1 | Harness, Autofill Circuit Board to Syrup Valves (Models with Internal Autofill Option) |
| | 37962.0001 | 1 | Harness, Autofill Circuit to CF Valves 120V |
| | 37962.0002 | 1 | Harness, Autofill Circuit to CF Valves 230V |
| | | | } Models with LAF CF |
| 24 | 40432.0003 | 1 | Jumper, WHI EMI Filter (230V) |
| 25 | 40432.0004 | 1 | Jumper, BLK EMI Filter (230V) |
| 26 | 40432.0002 | 1 | Jumper, Compressor (230V)(Early Models) |

NUMERICAL INDEX

| PART NO. | PAGE NO. | PART NO. | PAGE NO. | PART NO. | PAGE NO. | PART NO. | PAGE NO. |
|-----------------|------------------|-----------------|----------|-----------------|-------------|-----------------|----------|
| 00430.0001..... | 19 | 13255.0003..... | 7 | 27403.0000..... | 31 | 29591.0001..... | 11,15 |
| 00604.0000..... | 41 | 13255.0006..... | 7 | 27404.0000..... | 31 | 29591.0002..... | 11,15 |
| 00617.0000..... | 13,17,33,35,37 | 20622.0005..... | 7 | 27405.0001..... | 31 | 29702.1000..... | 7 |
| 00707.0000..... | 11,15 | 20630.0007..... | 13,17 | 27406.0002..... | 31 | 29724.0000..... | 11,15 |
| 00778.0000..... | 9 | 20630.0009..... | 43 | 27407.0000..... | 31 | 29726.0000..... | 11 |
| 00906.0000..... | 11,15 | 21275.0003..... | 39 | 27407.0001..... | 31 | 29726.0001..... | 15 |
| 00908.0000..... | 11,13 | 21275.0006..... | 19,39 | 27408.0000..... | 31 | 29742.0000..... | 11,15 |
| 00927.0000..... | 7 | 21436.0000..... | 5 | 27411.0000..... | 33,35,37 | 29763.0000..... | 13,17 |
| 00927.0001..... | 7 | 21437.1000..... | 5 | 27440.0001..... | 21 | 29844.0000..... | 11,15 |
| 00970.0000..... | 19,41,43 | 22126.0000..... | 11,15 | 27442.0000..... | 5 | 29844.0001..... | 11,15 |
| 00971.0000..... | 27 | 22749.0000..... | 13 | 27445.1000..... | 9 | 29936.0000..... | 13 |
| 00973.0000..... | 41 | 23700.0000..... | 27,29,31 | 27446.0000..... | 9 | 29940.1000..... | 11 |
| 00973.0001..... | 15 | 24457.0001..... | 11,15 | 27551.0000..... | 31 | 29940.1002..... | 11 |
| 00986.0002..... | 5,13,17 | 24544.0000..... | 41 | 27607.1000..... | 33,35,37 | 29941.1000..... | 11 |
| 01085.0008..... | 19 | 24566.0000..... | 9 | 27607.1001..... | 33,35,37 | 29941.1001..... | 11 |
| 01311.0001..... | 5,11,13,21,39 | 26528.0000..... | 7 | 27613.0000..... | 31 | 29941.1002..... | 11 |
| 01315.0000..... | 9,15,17 | 26780.0000..... | 21 | 27641.0000..... | 31,33,35,37 | 29941.1003..... | 11 |
| 01317.0000..... | 13,19,21 | 26781.0000..... | 21 | 27642.0000..... | 31,33,35,37 | 29942.0000..... | 13 |
| 01317.0003..... | 41 | 26791.0000..... | 25 | 27643.1000..... | 9 | 29942.0001..... | 13 |
| 01326.0002..... | 21 | 26791.0001..... | 25 | 27644.1002..... | 41 | 29943.0002..... | 13 |
| 01330.0000..... | 11,15 | 27058.0000..... | 5 | 27644.1004..... | 41 | 29943.0003..... | 13 |
| 01377.0000..... | 23 | 27058.0001..... | 7 | 27644.1005..... | 41 | 29943.1000..... | 13 |
| 01382.0000..... | 11,41 | 27058.0002..... | 5 | 27748.0000..... | 11,15 | 29943.1001..... | 13 |
| 01382.0000..... | 7 | 27058.0003..... | 7 | 27788.0000..... | 11,15 | 29948.0000..... | 13,17 |
| 01384.0002..... | 17 | 27058.0010..... | 5 | 28027.0000..... | 23 | 29948.0001..... | 13,17 |
| 01393.0000..... | 9 | 27058.0011..... | 7 | 28081.0001..... | 21 | 29959.0001..... | 7 |
| 01501.0000..... | 21 | 27058.0014..... | 5 | 28086.0000..... | 5 | 29959.0002..... | 7 |
| 01511.0000..... | 21 | 27058.0015..... | 7 | 28086.0001..... | 5 | 29959.8002..... | 7 |
| 01521.0000..... | 11 | 27131.0000..... | 7 | 28093.1000..... | 21 | 29967.1002..... | 5 |
| 01522.0001..... | 11,15 | 27131.0001..... | 7 | 28093.1003..... | 21 | 29976.0000..... | 7 |
| 01532.0001..... | 9 | 27136.0002..... | 5 | 28098.0000..... | 7 | 29979.0000..... | 5 |
| 01663.0000..... | 13,39 | 27136.0003..... | 5 | 28111.0005..... | 13 | 32068.0000..... | 5 |
| 01666.0002..... | 5,11,19,21,25,27 | 27178.0000..... | 41 | 28122.0000..... | 25 | 32068.0001..... | 5 |
| 02308.0000..... | 29,33,35,37,41 | 27178.0001..... | 41 | 28236.0000..... | 23 | 32069.1000..... | 9 |
| 02314.0000..... | 17 | 27179.0004..... | 21 | 28645.0000..... | 33,35 | 32069.1001..... | 9 |
| 02322.0002..... | 13,15,17 | 27179.0005..... | 21 | 28651.0000..... | 27,29,31 | 32079.0000..... | 21 |
| 02329.0000..... | 5 | 27181.0000..... | 41 | 28755.0003..... | 9 | 32082.0002..... | 5 |
| 02332.0001..... | 25,33,35,37,39 | 27219.0000..... | 25 | 28756.1000..... | 9 | 32082.0004..... | 5 |
| 02332.0002..... | 25,31 | 27219.0001..... | 25 | 28770.0000..... | 9 | 32084.0000..... | 25 |
| 02335.0001..... | 7,27,31 | 27220.0000..... | 25 | 28776.0001..... | 9 | 32084.0005..... | 25 |
| 02360.0000..... | 41 | 27221.1000..... | 25 | 28860.0003..... | 41 | 32084.0006..... | 25 |
| 03354.0000..... | 7 | 27223.0000..... | 21 | 28925.0000..... | 33,37 | 32084.0009..... | 25 |
| 03628.0000..... | 11,15 | 27224.0000..... | 21 | 29084.0000..... | 25 | 32084.0010..... | 25 |
| 03851.0000..... | 9,13,17 | 27228.0000..... | 21 | 29084.0001..... | 25 | 32085.0001..... | 37 |
| 03993.0000..... | 7 | 27231.0000..... | 21 | 29084.0002..... | 25 | 32086.0001..... | 37 |
| 03996.0000..... | 7 | 27231.0001..... | 21 | 29159.0000..... | 25 | 32087.0000..... | 33,35,37 |
| 05746.0000..... | 11,15 | 27232.0000..... | 21 | 29160.1000..... | 25 | 32088.0000..... | 33,35,37 |
| 05746.1000..... | 41 | 27232.0004..... | 21 | 29160.1001..... | 25 | 32092.0002..... | 23 |
| 07070.0000..... | 39 | 27243.0000..... | 25 | 29373.0001..... | 7 | 32092.0004..... | 23 |
| 11556.0001..... | 21 | 27246.1000..... | 41 | 29421.0001..... | 41 | 32092.0005..... | 23 |
| 12421.1001..... | 7 | 27257.0000..... | 25 | 29446.0001..... | 13 | 32092.1003..... | 23 |
| 12421.1002..... | 7 | 27258.0000..... | 25 | 29446.0006..... | 41 | 32094.0000..... | 31 |
| 12421.1003..... | 7 | 27394.0000..... | 5 | 29446.0009..... | 15 | 32095.0000..... | 31 |
| 12422.0011..... | 39 | 27394.0001..... | 5 | 29481.0001..... | 9 | 32096.0001..... | 9 |

NUMERICAL INDEX

| PART NO. | PAGE NO. | PART NO. | PAGE NO. | PART NO. | PAGE NO. | PART NO. | PAGE NO. |
|-----------------|----------|-----------------|-------------|-----------------|----------|-----------------|----------|
| 32096.0002..... | 9 | 32793.0000..... | 7 | 37962.0002..... | 43 | 43124.0001..... | 19 |
| 32097.1001..... | 41 | 32795.0002..... | 27 | 38021.0000..... | 9,39 | 43128.0000..... | 19 |
| 32104.0000..... | 11,15,41 | 32797.0000..... | 27,29 | 38074.0028..... | 43 | 43130.1001..... | 19 |
| 32105.0000..... | 9 | 32798.0000..... | 27,29 | 38129.0005..... | 19 | 43130.1002..... | 19 |
| 32105.0001..... | 9 | 32799.0002..... | 27 | 38129.0017..... | 19 | 43130.1003..... | 19 |
| 32106.1000..... | 21 | 32916.0002..... | 9 | 38129.0023..... | 19 | 43130.1004..... | 19 |
| 32108.0002..... | 21 | 33052.0000..... | 27 | 38129.1000..... | 19 | 43131.0000..... | 19 |
| 32108.0008..... | 21 | 33149.0000..... | 39 | 38278.0003..... | 25 | 43136.0003..... | 7 |
| 32111.0000..... | 5 | 33524.0000..... | 11 | 38278.0016..... | 25 | 43136.0001..... | 7 |
| 32111.0001..... | 5 | 33525.0000..... | 11 | 38278.1002..... | 25 | 43145.0000..... | 19 |
| 32111.0002..... | 5 | 33527.0000..... | 11 | 38708.1000..... | 41 | 43823.0000..... | 19 |
| 32111.0003..... | 5 | 33529.0011..... | 17 | 38821.0005..... | 29 | 43841.0000..... | 19 |
| 32113.0000..... | 33,35,37 | 34211.0000..... | 33,35,37 | 38983.1001..... | 41 | 43841.0001..... | 19 |
| 32113.0002..... | 33 | 34251.0000..... | 27 | 39136.0000..... | 27 | 43907.0000..... | 19 |
| 32116.1000..... | 5 | 34252.0001..... | 27 | 39137.0000..... | 27 | 43941.1000..... | 19 |
| 32116.1001..... | 5 | 34253.0000..... | 27 | 39142.0000..... | 27 | 43941.1001..... | 19 |
| 32121.0000..... | 41 | 34254.0002..... | 27 | 39152.0000..... | 27 | 44011.0002..... | 19 |
| 32124.0000..... | 7 | 34255.0002..... | 27 | 39257.0000..... | 9 | 44039.1000..... | 41 |
| 32126.1005..... | 5 | 34256.0000..... | 33,35 | 39788.0000..... | 27 | 44039.1008..... | 41 |
| 32133.0000..... | 33,37 | 34257.0000..... | 33 | 39788.0001..... | 29 | 44053.0000..... | 35 |
| 32133.0001..... | 35,37 | 34258.0000..... | 33 | 39788.0004..... | 29 | 44614.1000..... | 9 |
| 32133.0003..... | 33 | 34529.0000..... | 27,29,31 | 39789.0000..... | 27 | 44820.0004..... | 29 |
| 32163.0000..... | 43 | 34573.0000..... | 13 | 39804.0000..... | 27 | 44820.0005..... | 29 |
| 32163.0001..... | 43 | 34575.0000..... | 13 | 39804.0004..... | 29 | 44945.0000..... | 19 |
| 32189.0000..... | 9,21 | 34575.0001..... | 15 | 39804.0005..... | 29 | 45042.1000..... | 19 |
| 32190.1000..... | 9 | 34836.0001..... | 21 | 39818.0000..... | 27 | 45282.0000..... | 29 |
| 32190.1001..... | 9 | 34836.0002..... | 21 | 39818.0001..... | 29 | 46331.0001..... | 9 |
| 32190.1003..... | 9 | 35174.0003..... | 39 | 39818.0002..... | 29 | 46341.0000..... | 19 |
| 32190.1005..... | 9 | 35980.0008..... | 29 | 39819.0000..... | 27 | 47237.0000..... | 15 |
| 32191.0003..... | 9 | 35980.1004..... | 29 | 39819.0004..... | 29 | 47237.0001..... | 15 |
| 32193.0000..... | 9 | 35980.1005..... | 29 | 39819.0005..... | 29 | 47243.0000..... | 15 |
| 32195.0000..... | 9 | 36182.1004..... | 7 | 39820.0000..... | 27 | 47243.0001..... | 15 |
| 32196.0000..... | 9 | 36182.1005..... | 7 | 39820.0001..... | 29 | 47243.0002..... | 15 |
| 32196.0001..... | 9 | 36182.1006..... | 7 | 39821.0000..... | 27 | 47243.0003..... | 15 |
| 32197.0000..... | 11,15 | 36182.1007..... | 5 | 39833.1000..... | 27 | 47244.0000..... | 17 |
| 32212.0001..... | 13 | 36187.0000..... | 5 | 39833.0004..... | 29 | 47244.0001..... | 17 |
| 32256.0000..... | 33,35,37 | 36188.0000..... | 7 | 39833.0005..... | 29 | 47245.0000..... | 15 |
| 32257.0000..... | 33,35,37 | 36196.0000..... | 35 | 39885.0000..... | 27 | 47280.0001..... | 15 |
| 32263.0000..... | 43 | 36198.0000..... | 35 | 39885.0001..... | 29 | 47315.1000..... | 9 |
| 32263.0001..... | 43 | 36329.0002..... | 25,33,35,37 | 39967.0000..... | 9 | 47315.1001..... | 9 |
| 32263.0006..... | 43 | 37593.0000..... | 21 | 40432.0000..... | 43 | 51696.0000..... | 5,11,17 |
| 32263.0007..... | 43 | 37711.0000..... | 41 | 40432.0003..... | 43 | 52940.0000..... | 41 |
| 32265.0001..... | 9 | 37711.0001..... | 41 | 40432.0004..... | 43 | M2316.1001..... | 33 |
| 32266.0000..... | 9 | 37878.0000..... | 39 | 40770.0000..... | 41 | M2316.1000..... | 35 |
| 32267.1000..... | 13,17 | 37883.0000..... | 7 | 42175.0002..... | 23 | M2316.1000..... | 37 |
| 32267.1000..... | 9 | 37883.0002..... | 7 | 42175.0003..... | 23 | M2548.1001..... | 23 |
| 32268.1000..... | 9 | 37906.0002..... | 7 | 42193.0000..... | 19 | | |
| 32268.1001..... | 9 | 37906.0007..... | 7 | 42749.0001..... | 43 | | |
| 32269.0000..... | 41 | 37931.0000..... | 39 | 42921.0000..... | 9,39 | | |
| 32449.0000..... | 21 | 37933.0000..... | 39 | 43115.0000..... | 19 | | |
| 32580.0000..... | 5 | 37933.0001..... | 39 | 43118.0000..... | 21 | | |
| 32580.0000..... | 5,7 | 37933.0002..... | 39 | 43118.0001..... | 21 | | |
| 32632.0000..... | 11 | 37958.0000..... | 39 | 43121.0000..... | 19 | | |
| 32745.0027..... | 39 | 37962.0000..... | 43 | 43122.0002..... | 19 | | |
| 32745.0028..... | 39 | 37962.0001..... | 43 | | | | |